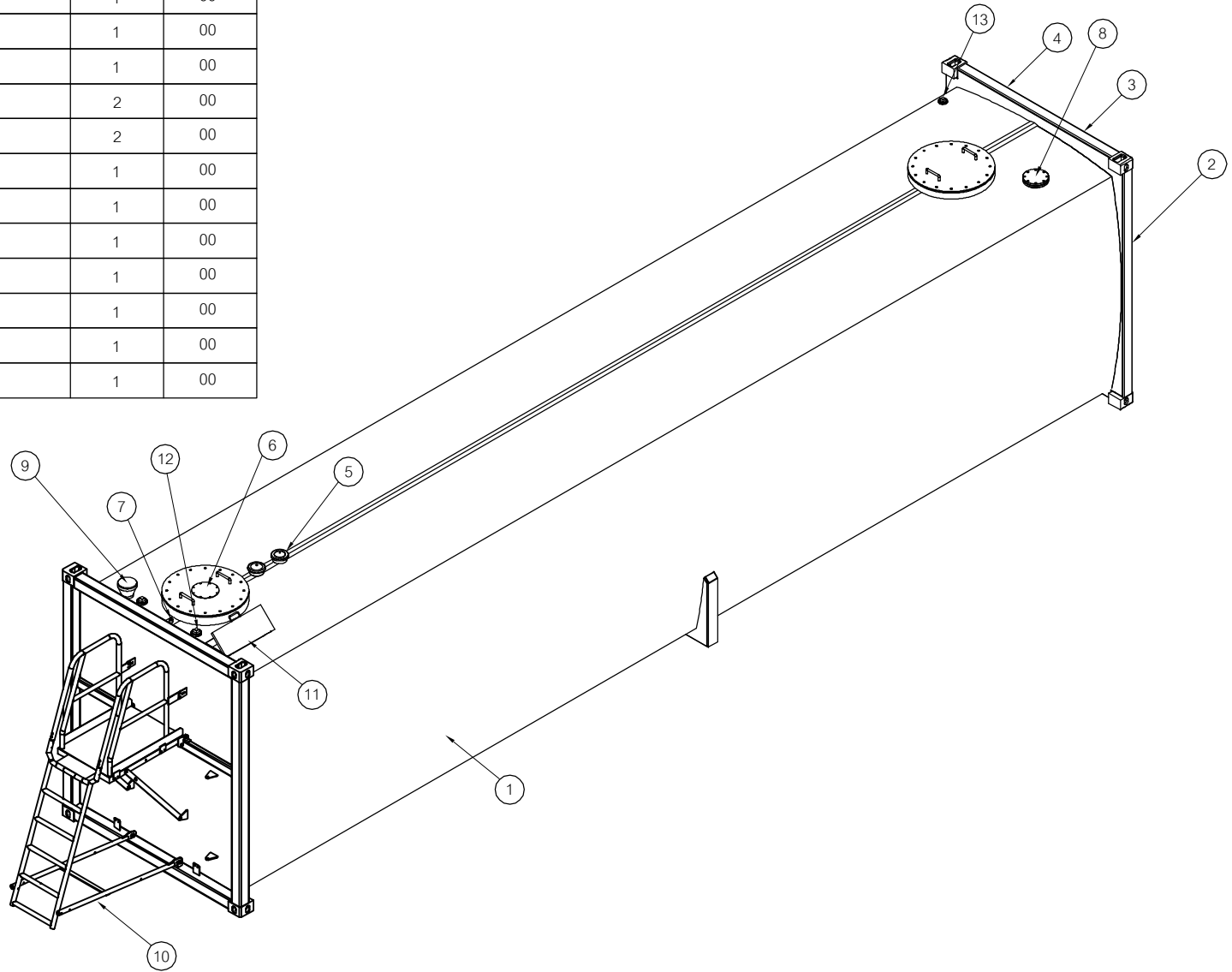


NO.	ITEM	DESCRIPTION	QTY	REV.
1		TANK LTT75NDB	1	00
2		FRONT PANAL FOR PIPE CONNECT	1	00
3		3" SUCTION PIPE	1	00
4		3" DISCHARGE PIPE	1	00
5		VENT VALVE	2	00
6		MIAN WAY	2	00
7		1" SOCKET FOR DRAIN	1	00
8		6" FLANGES	1	00
9		3" AIR VENT	1	00
10		BACK LADDER	1	00
11		SPILL BOX with Lock	1	00
12		SPARE SOCKET 3"	1	00
13		SPARE SOCKET 2"	1	00



REV:	DATE:	REVISION:	DRAWN:	CHECKED:	APPROVED:
01	20/08/15	move pipe upper SFL line and main hole	N.Pramote		

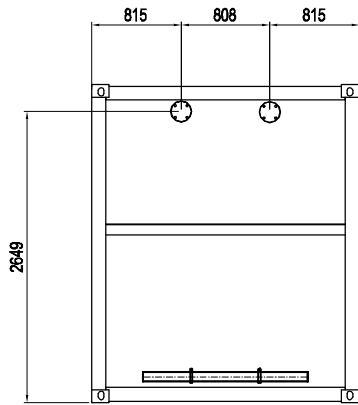


**CONFIDENTIAL**

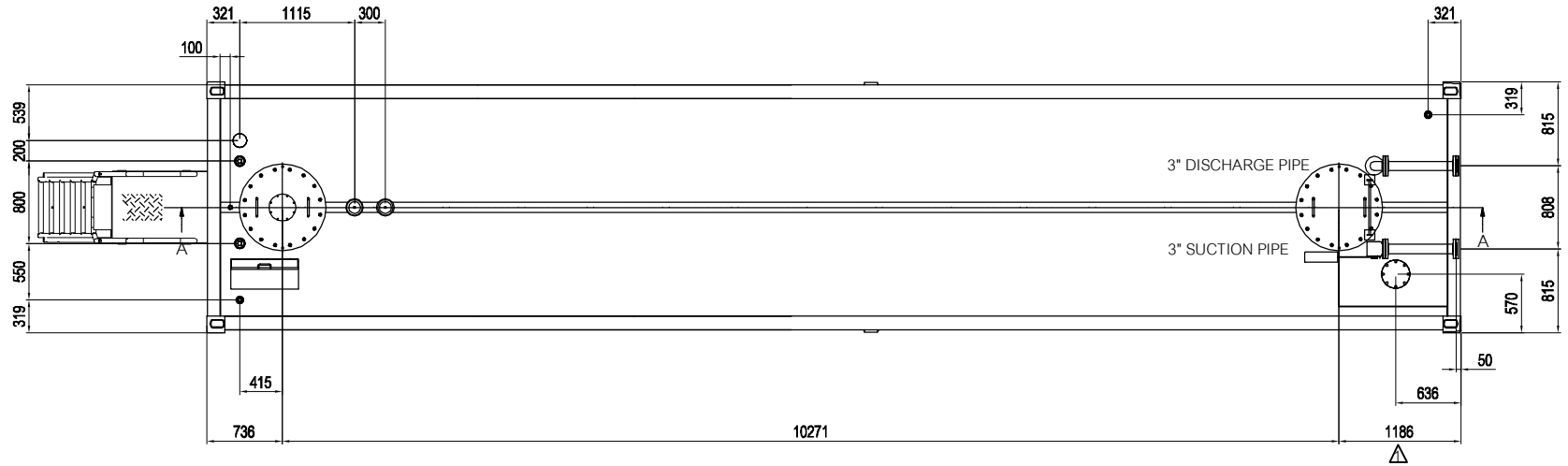
This document and all information contained within it remains the property of Petro Industrial PTY, LTD and specified parties deemed by Petro Industrial PTY, LTD. No part of this document may be copied without explicit consent of Petro Industrial PTY, LTD.

<b>DRAWN:</b>	<b>DATE:</b>	<b>TITLE:</b> X-Jumbo75000	
<b>CHECKED:</b>	<b>DATE:</b>	<b>DRAWING NO:</b>	<b>REV:</b> 01
<b>CLIENT:</b>	<b>DATE:</b>		<b>SHEET:</b> 1/3
<b>APPROVED:</b>	<b>DATE:</b>	<b>PURCHASE ORDER NO:</b>	<b>SCALE:</b> none scale

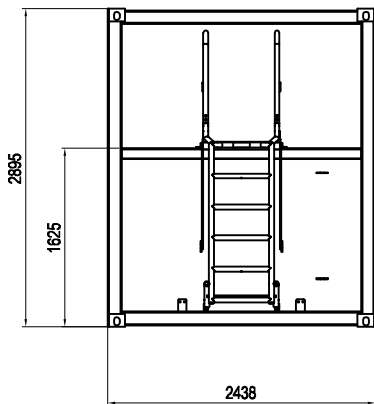




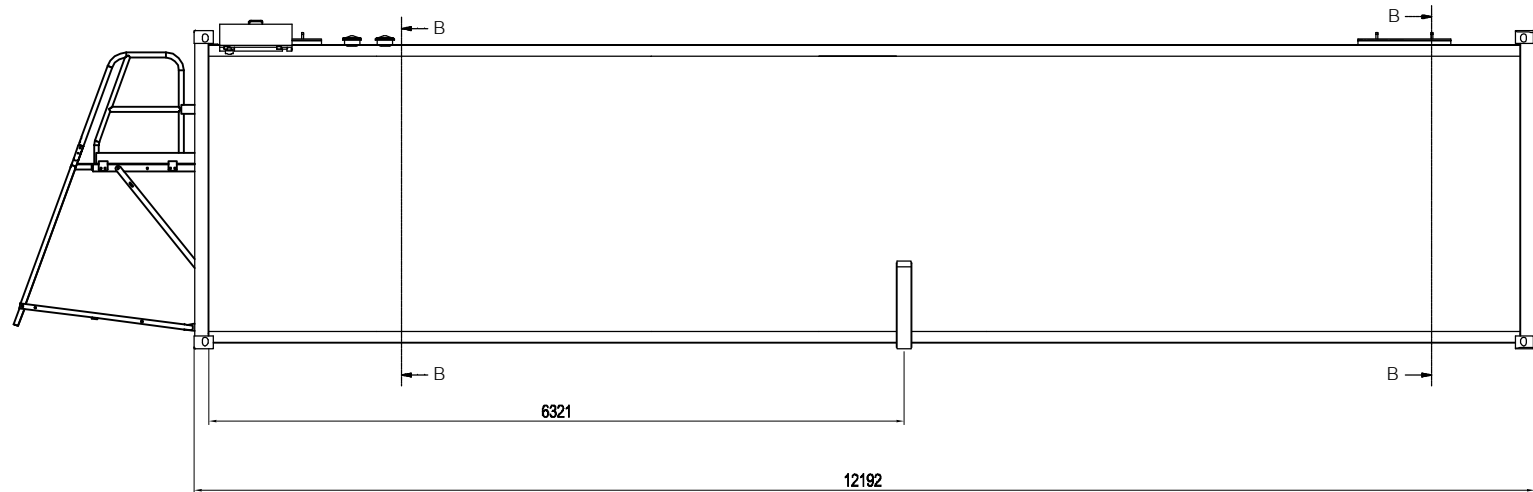
FRONT VIEW



TOP VIEW



BACK VIEW



SIDE VIEW

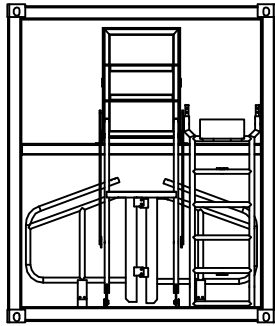
01	20/08/15	move pipe upper SFL line and main hole	N.Pramote		
REV:	DATE:	REVISION:	DRAWN:	CHECKED:	APPROVED:



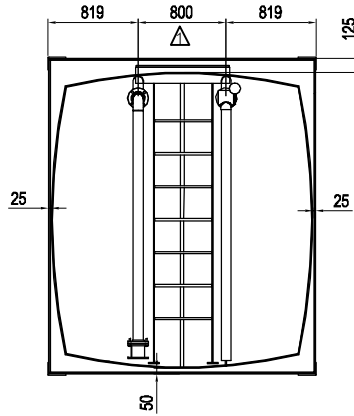
**CONFIDENTIAL**

This document and all information contained within it remains the property of Petro Industrial PIV, LTD and specified parties owned by Petro Industrial PIV, LTD. No part of this document may be copied without explicit consent of Petro Industrial PIV, LTD.

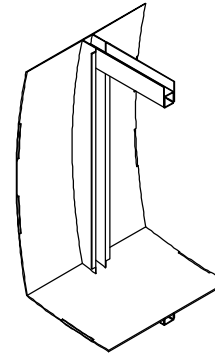
DRAWN:	DATE:	TITLE: X-Jumbo75000	
CHECKED:	DATE:	DRAWING NO:	
CLIENT:	DATE:	REV: 01	A3
APPROVED:	DATE:	SHEET: 2/3	
PURCHASE ORDER NO:		SCALE: none scale	



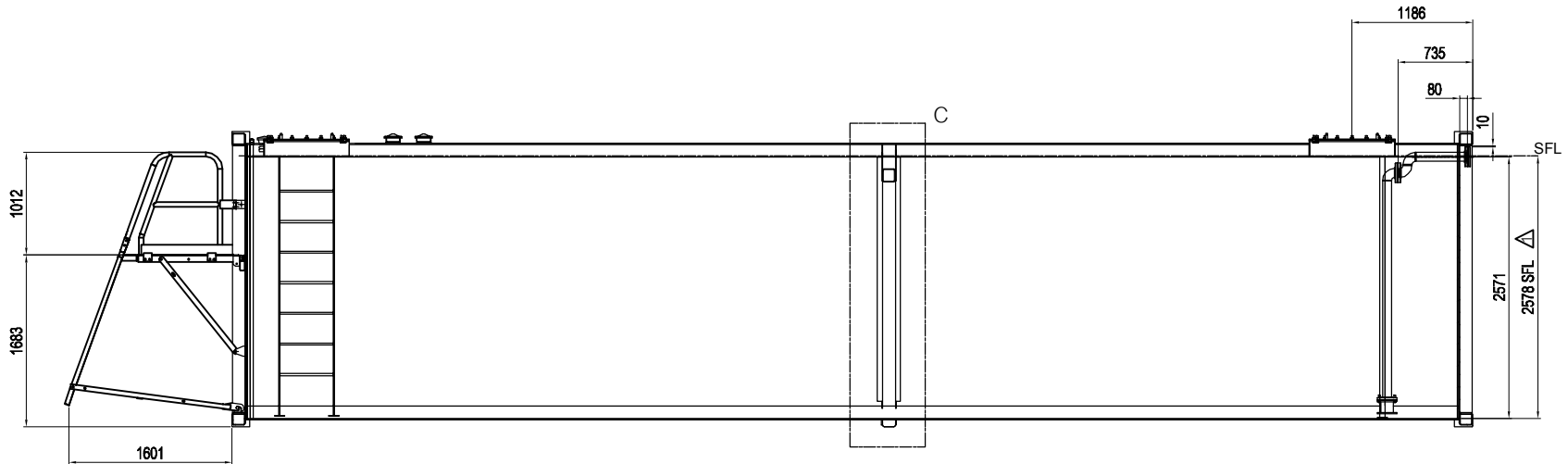
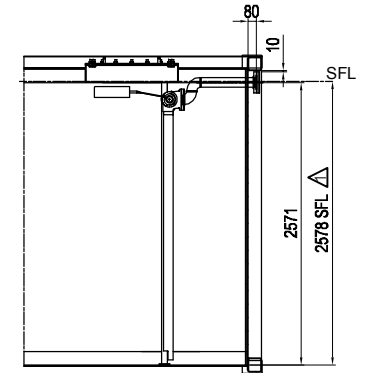
BACK LADDER for PACKING



SECTION : B-B



DETAIL : C



SECTION : A-A

01	20/08/15	move pipe upper SFL line and main hole	N.Pramote		
REV:	DATE:	REVISION:	DRAWN:	CHECKED:	APPROVED:



**CONFIDENTIAL**

This document and all information contained within remains the property of Petro Industrial PTY, LTD and special parties derived by Petro Industrial PTY, LTD. No part of this document may be copied without explicit consent of Petro Industrial PTY, LTD.

DRAWN:	DATE:	TITLE: X-Jumbo75000	
CHECKED:	DATE:	DRAWING NO:	
CLIENT:	DATE:	REV: 01	A3
APPROVED:	DATE:	SHEET: 3/3	
PURCHASE ORDER NO:		SCALE: none scale	