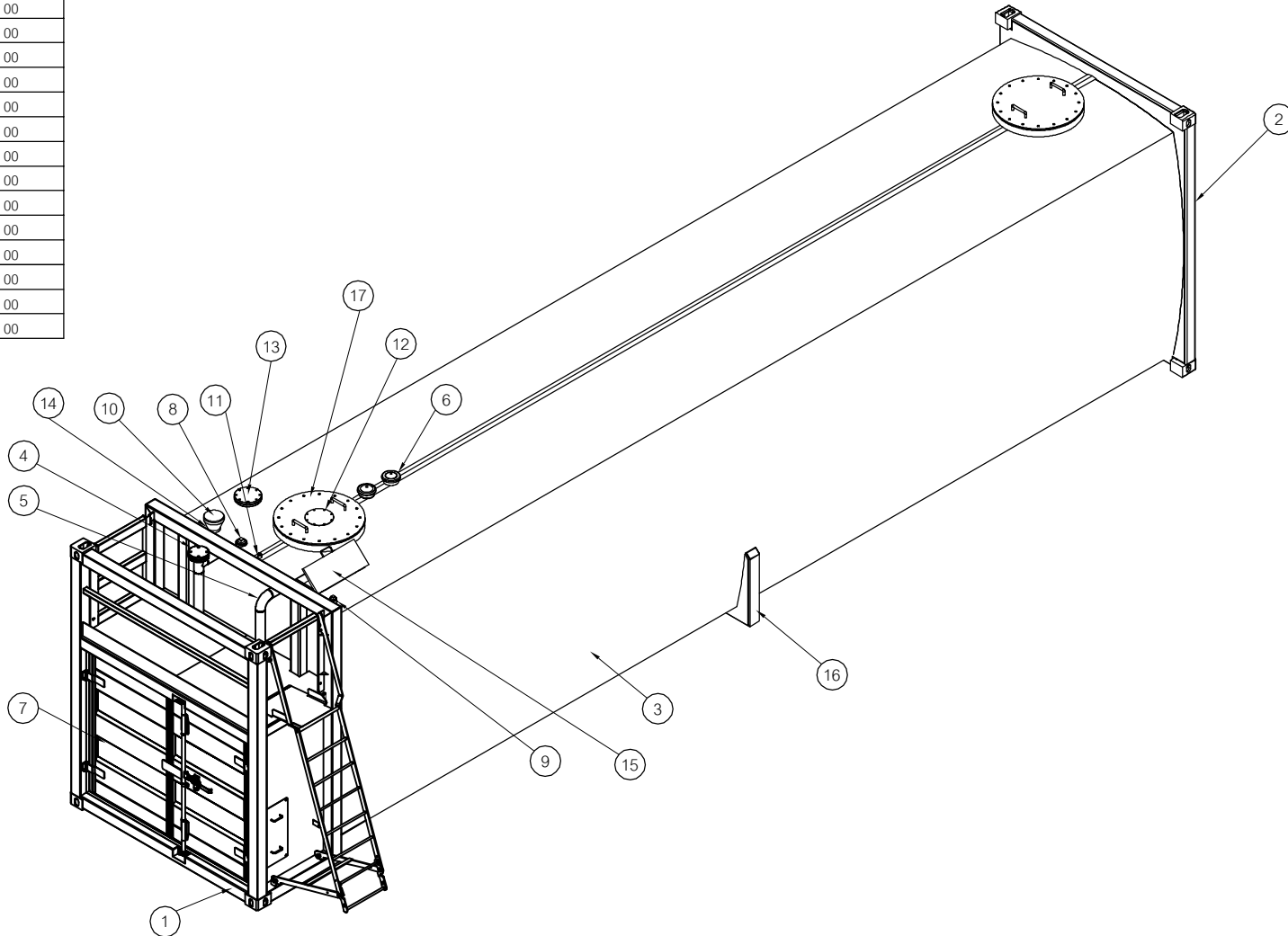


1	C500300001	Standard Pumping Bay 1	1	00
2	C500300002	Standard Pumping Bay 2	1	00
3	C037100002	Tank Assembly	1	00
4	C034010xxx	Suction Pipe Assembly	2	00
5	C034010xxx	Fill Pipe Assembly	2	00
6	XA222303012	4" Emergency Vent	2	00
7	C034010064	Container Door	2	00
8	XA212303015	3" Threaded Plug	1	00
9	XA212303012	2" Threaded Plug	3	00
10	XA222303013	Air Vent 3"	1	00
11	XA532309046	1" Threaded Plug	1	00
12	C037110082	Plate Cover on Manway	1	00
13	XA040103024	6"150 ANSI FLANGE&PIPE 6"	1	00
14	XA212303091	3" Nipple	1	00
15	C034000012	Spill box	1	00
16	C037100005	Frame Base	1	00
17	C037100017	Manway	2	00



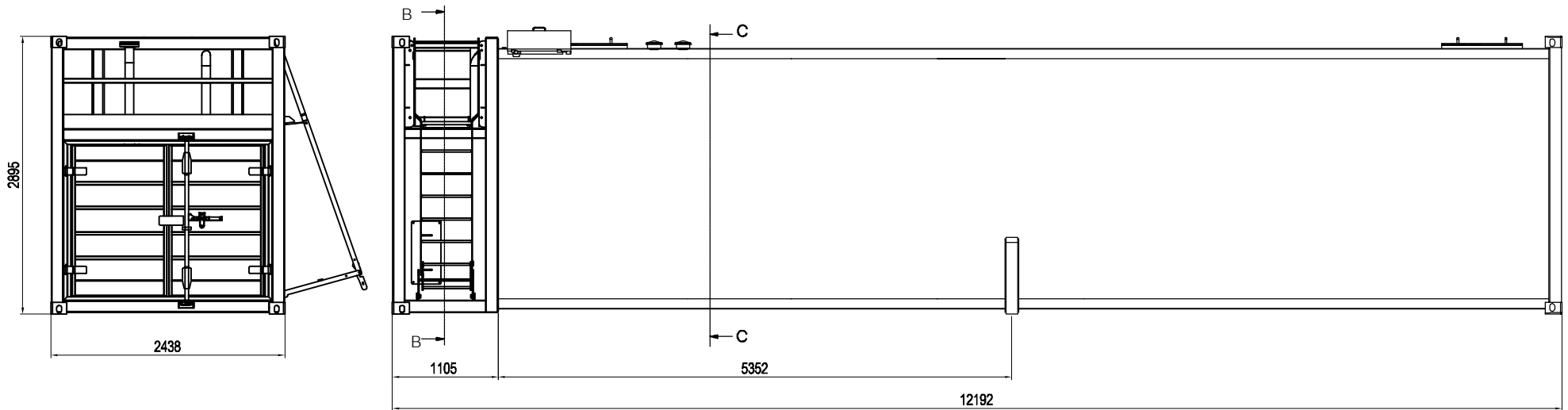
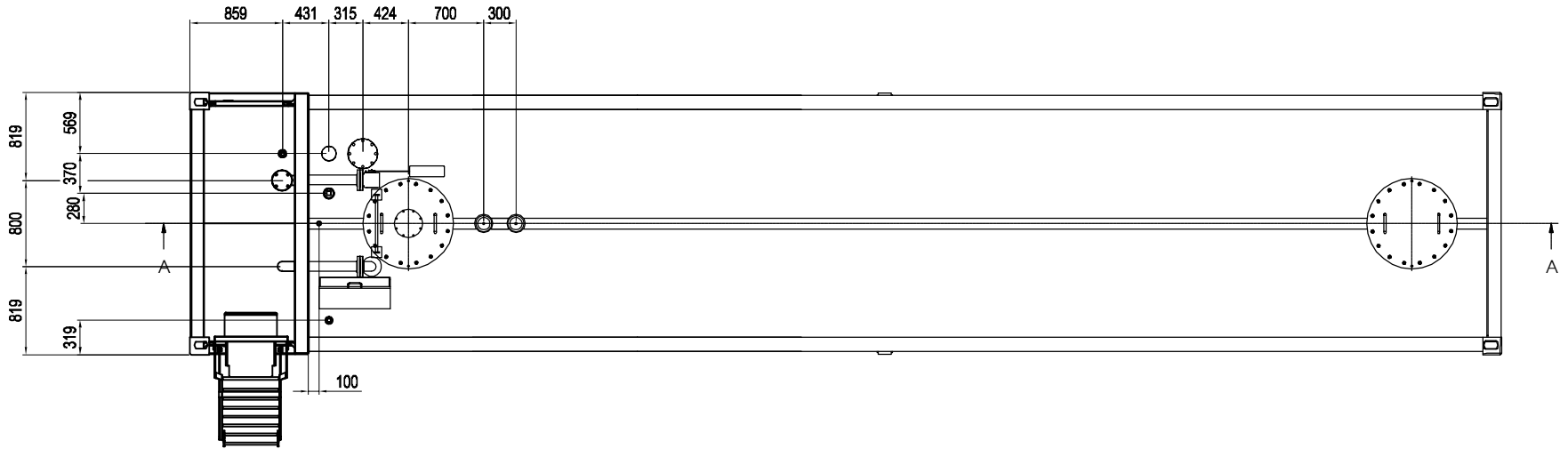
01	20/08/15	move pipe upper SFL line and main hole	N.Pramote			
REV:	DATE:	REVISION:	DRAWN:	CHECKED:	APPROVED:	



CONFIDENTIAL

This document and all information contained within it remains the property of Petro Industrial PIV, LTD and specified parties owned by Petro Industrial PIV, LTD. No part of this document may be copied without explicit consent of Petro Industrial PIV, LTD.

DRAWN:	DATE:	TITLE: X-Jumbo65000			
CHECKED:	DATE:				
CLIENT:	DATE:	DRAWING NO:		REV: 01	A3
APPROVED:	DATE:	PURCHASE ORDER NO:		SHEET: 1/3	
				SCALE: none scale	



01	20/08/15	move pipe upper SFL line and main hole	N.Pramote		
REV:	DATE:	REVISION:	DRAWN:	CHECKED:	APPROVED:

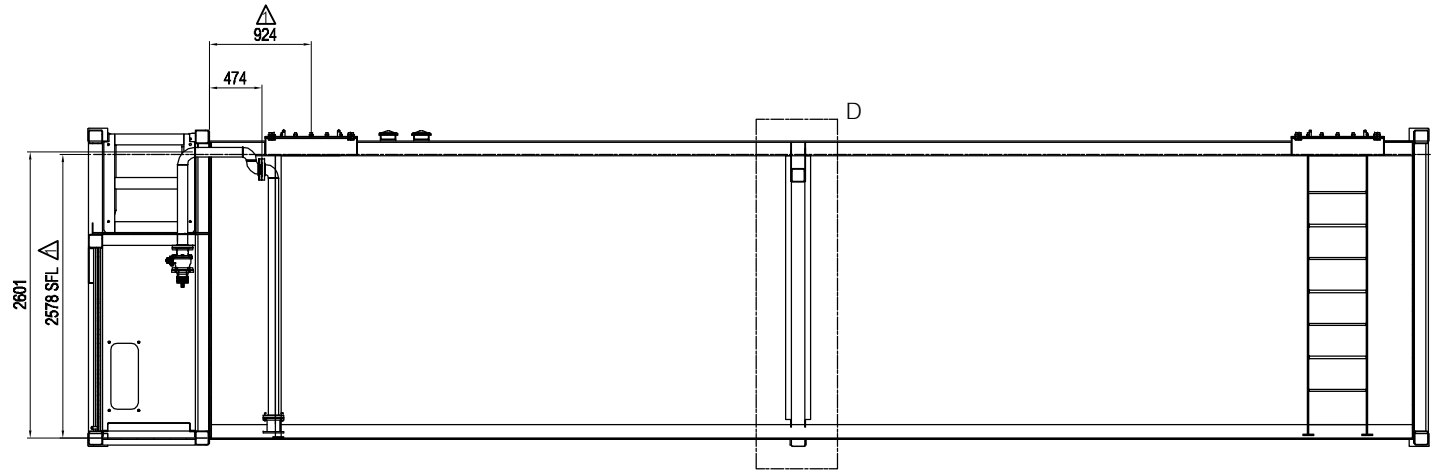


CONFIDENTIAL

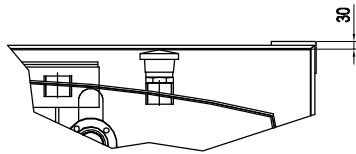
This document and all information contained within it remains the property of Piro Industrial PTY. LTD and specified parties derived by Piro Industrial PTY. LTD. No part of this document may be copied without explicit consent of Piro Industrial PTY. LTD.

DRAWN:	DATE:	TITLE: X-Jumbo65000	
CHECKED:	DATE:	DRAWING NO:	
CLIENT:	DATE:	PURCHASE ORDER NO:	REV: 01
APPROVED:	DATE:		SHEET: 2/3
			SCALE: none scale

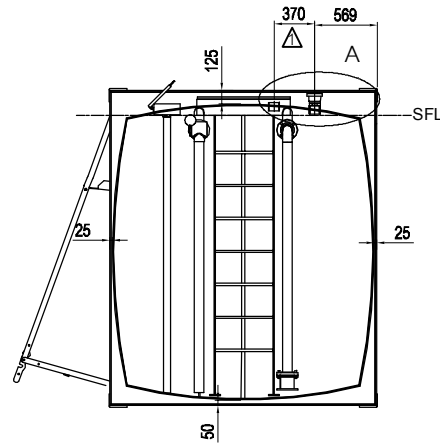
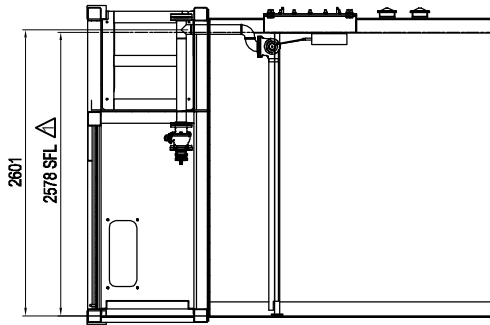




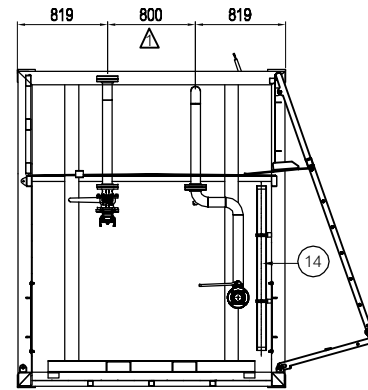
SECTION : A-A



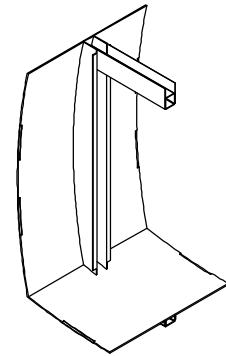
Detail : A



SECTION : C-C



SECTION : B-B



DETAIL : D

01	20/08/15	move pipe upper SFL line and main hole	N.Pramote		
REV:	DATE:	REVISION:	DRAWN:	CHECKED:	APPROVED:



CONFIDENTIAL

This document and all information contained within it remains the property of Petro Industrial PTY. LTD and specified parties derived by Petro Industrial PTY. LTD. No part of this document may be copied without explicit consent of Petro Industrial PTY. LTD.

DRAWN:	DATE:	TITLE: X-Jumbo65000	
CHECKED:	DATE:	DRAWING NO:	
CLIENT:	DATE:	REV: 01	A3
APPROVED:	DATE:	SHEET: 3/3	
PURCHASE ORDER NO:		SCALE: none scale	