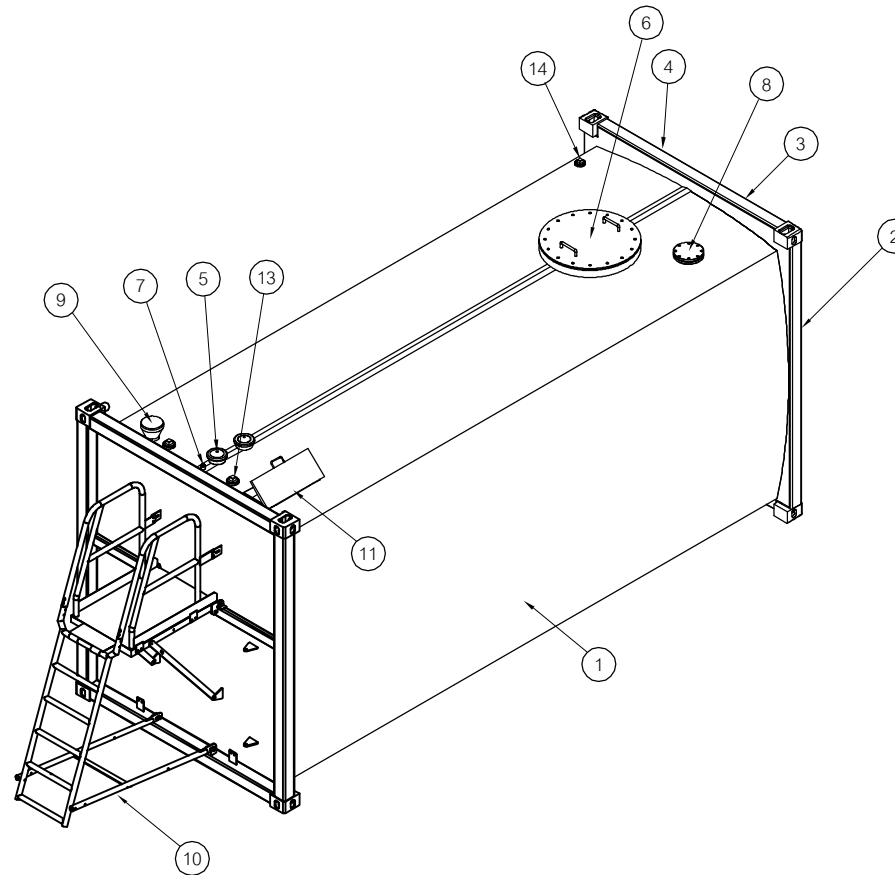


NO.	ITEM	DESCRIPTION	QTY	REV.
1		TANK LTT38NDB	1	00
2		FRONT PANAL FOR PIPE CONNECT	1	00
3		3" SUCTION PIPE	1	00
4		3" DISCHARGE PIPE	1	00
5		VENT VALVE	2	00
6		MIAN HOLES	1	00
7		1" SOCKET FOR DRAIN	1	00
8		6" FLANGES	1	00
9		3" AIR VENT	1	00
10		BACK LADDER	1	00
11		SPILL BOX with Lock	1	00
12		3" ROLLOVER VENT	cancel	00
13		SPARE SOCKET 3"	1	00
14		SPARE SOCKET 2"	1	00



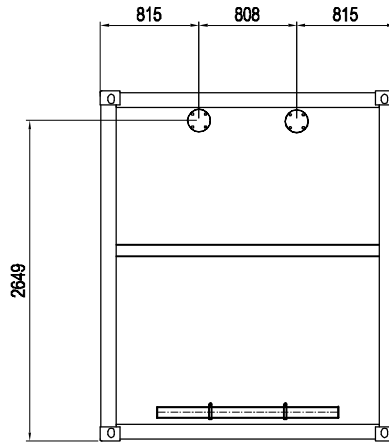
REV:	DATE:	REVISION:	DRAWN:	CHECKED:	APPROVED:
01	20/08/15	move pipe upper SFL line and main hole	N.Pramote		



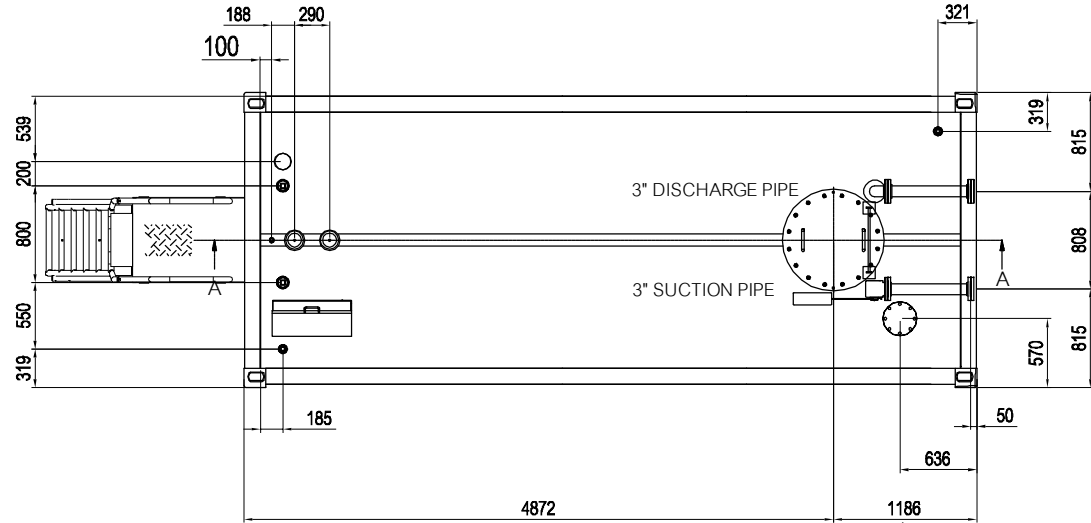
**CONFIDENTIAL**

This document and all information contained within it remains the property of Petro Industrial PVT. LTD and specified parties owned by Petro Industrial PVT. LTD. No part of this document may be copied without explicit consent of Petro Industrial PVT. LTD.

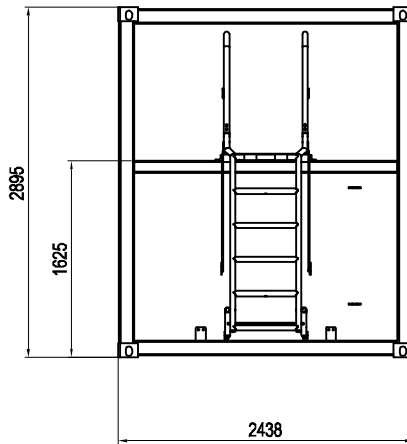
<b>DRAWN:</b>	<b>DATE:</b>	<b>TITLE:</b> X-Jumbo38000		
<b>CHECKED:</b>	<b>DATE:</b>			
<b>CLIENT:</b>	<b>DATE:</b>	<b>DRAWING NO:</b>	<b>REV:</b> 01	<b>A3</b>
<b>APPROVED:</b>	<b>DATE:</b>	<b>PURCHASE ORDER NO:</b>	<b>SHEET:</b> 1/3	
			<b>SCALE:</b> none scale	



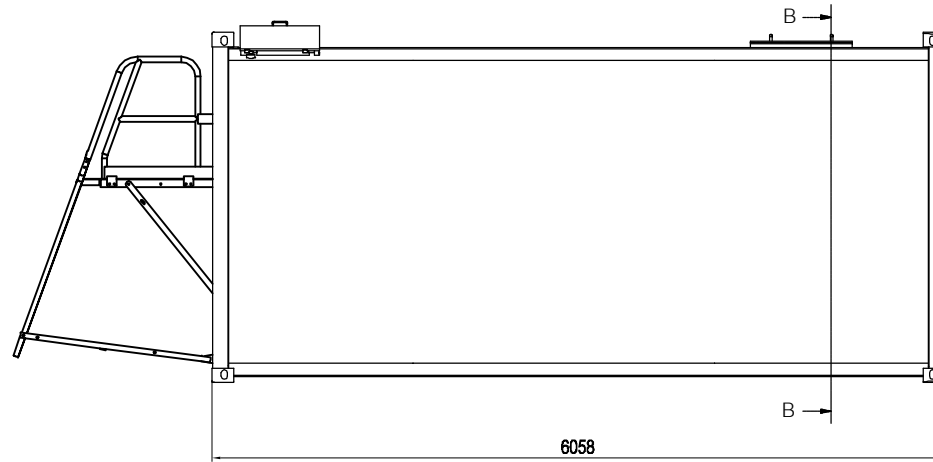
FRONT VIEW



TOP VIEW



BACK VIEW



SIDE VIEW

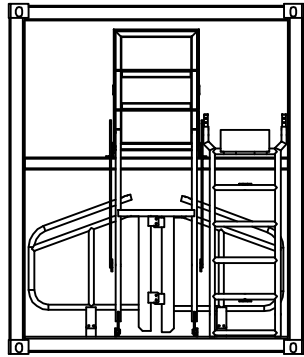
01	20/08/15	move pipe upper SFL line and main hole	N.Pramote		
REV:	DATE:	REVISION:	DRAWN:	CHECKED:	APPROVED:



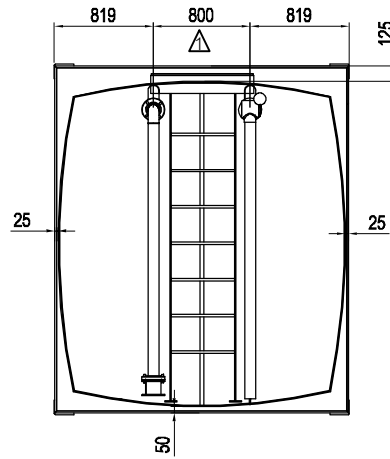
**CONFIDENTIAL**

This document and all information contained within it remains the property of Piro Industrial PTY. LTD and affiliated parties owned by Piro Industrial PTY. LTD. No part of this document may be copied without explicit consent of Piro Industrial PTY. LTD.

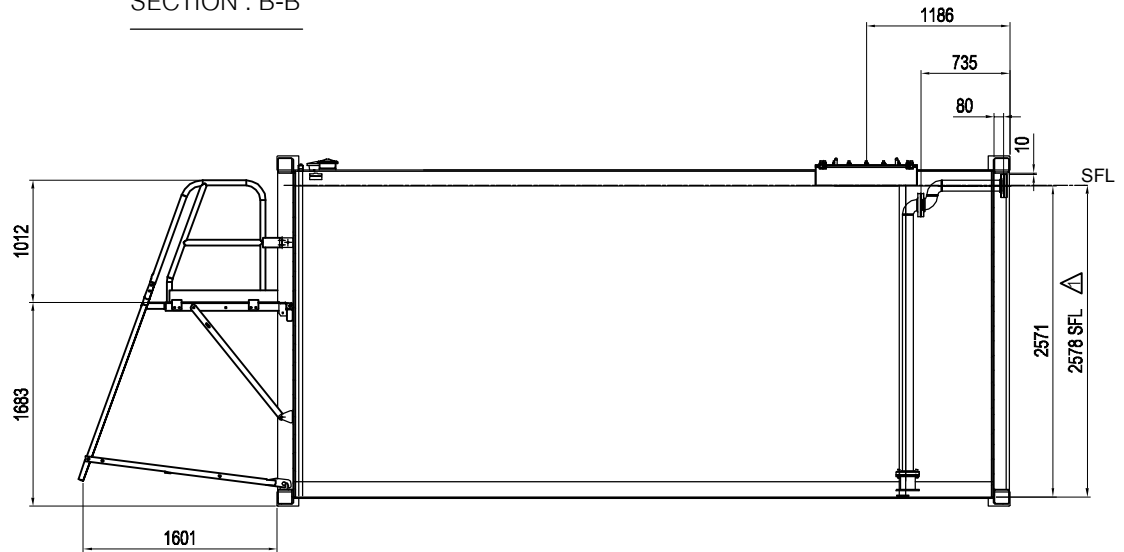
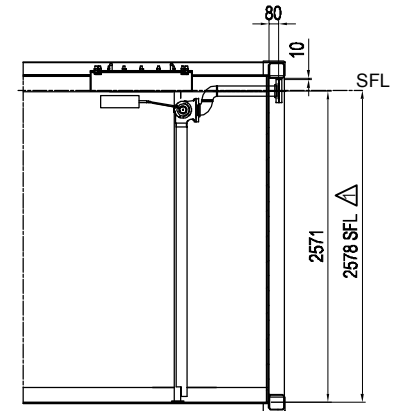
DRAWN:	DATE:	TITLE: X-Jumbo38000	
CHECKED:	DATE:	DRAWING NO:	
CLIENT:	DATE:	REV: 01	A3
APPROVED:	DATE:	SHEET: 2/3	
PURCHASE ORDER NO:		SCALE: none scale	



BACK LADDER for PACKING



SECTION : B-B



SECTION : A-A

01	20/08/15	move pipe upper SFL line and main hole	N.Pramote		
REV:	DATE:	REVISION:	DRAWN:	CHECKED:	APPROVED:



**CONFIDENTIAL**

This document and all information contained within it remains the property of Petro Industrial PVT. LTD and specified parties owned by Petro Industrial PVT. LTD. No part of this document may be copied without explicit consent of Petro Industrial PVT. LTD.

DRAWN:	DATE:	TITLE: X-Jumbo38000	
CHECKED:	DATE:	DRAWING NO:	
CLIENT:	DATE:	PURCHASE ORDER NO:	REV: 01
APPROVED:	DATE:		SHEET: 3/3
			SCALE: none scale

