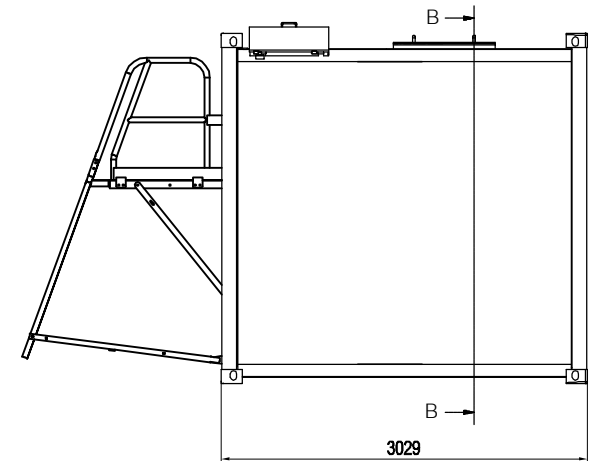
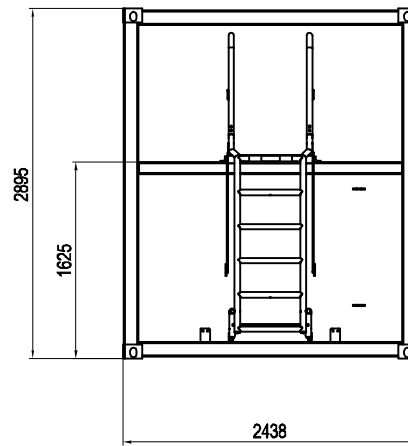
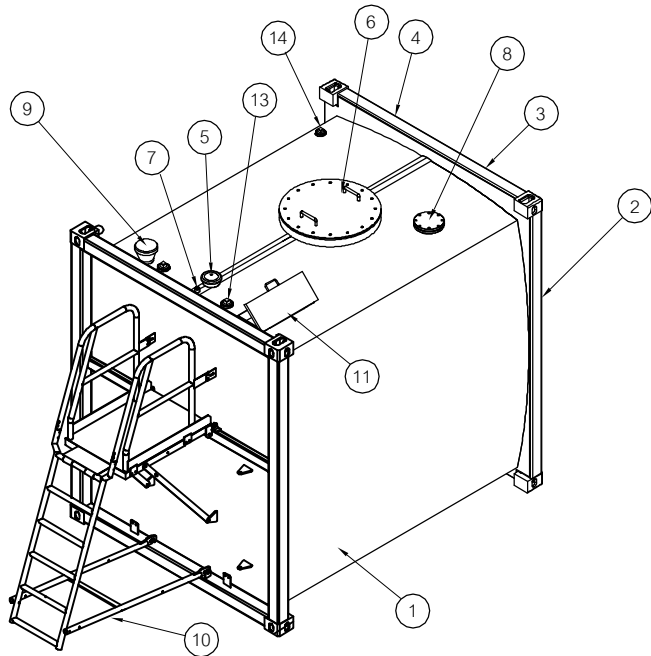
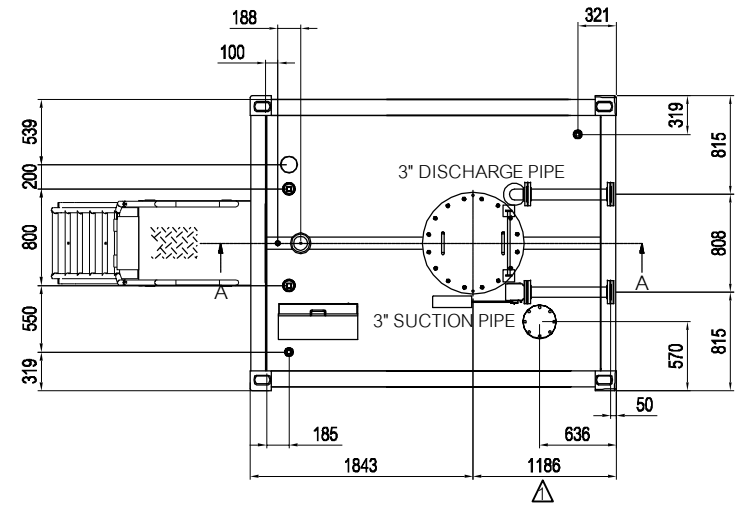
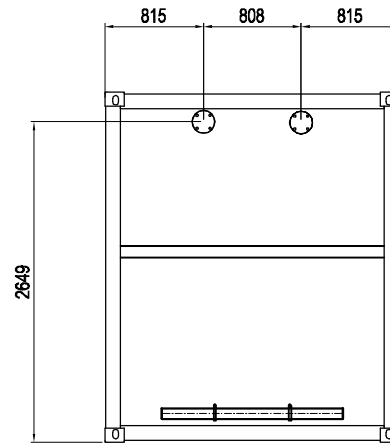


NO.	ITEM	DESCRIPTION	QTY	REV.
1		TANK LTT18NDB	1	00
2		FRONT PANAL FOR PIPE CONNECT	1	00
3		3" SUCTION PIPE	1	00
4		3" DISCHARGE PIPE	1	00
5		VENT VALVE	1	00
6		MIAN HOLES	1	00
7		1" SOCKET FOR DRAIN	1	00
8		6" FLANGES	1	00
9		3" AIR VENT	1	00
10		BACK LADDER	1	00
11		SPILL BOX with Lock	1	00
12		3" ROLLOVER VENT	cancel	00
13		SPARE SOCKET 3"	1	00
14		SPARE SOCKET 2"	1	00



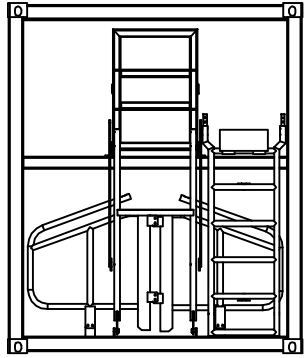
REV:	DATE:	REVISION:	DRAWN:	CHECKED:	APPROVED:
01	20/08/15	move pipe upper SFL line and main hole	N.Pramote		



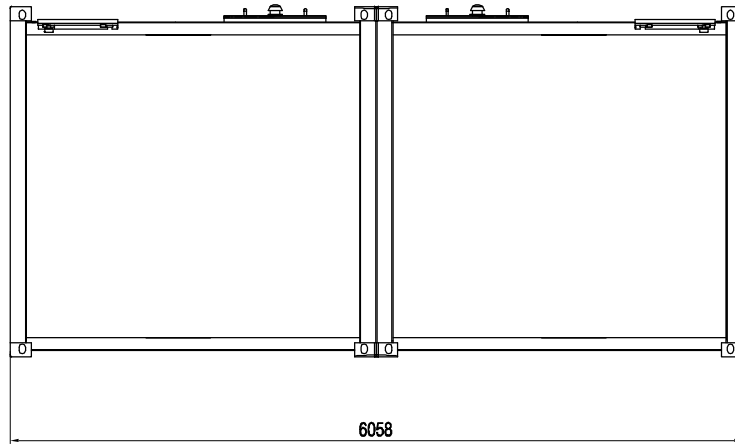
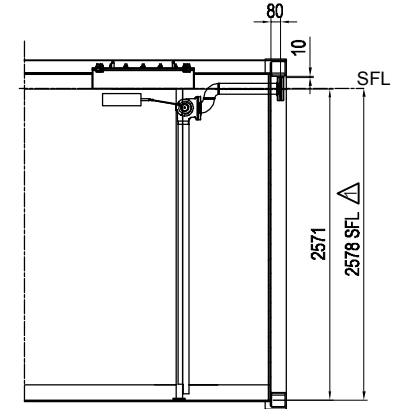
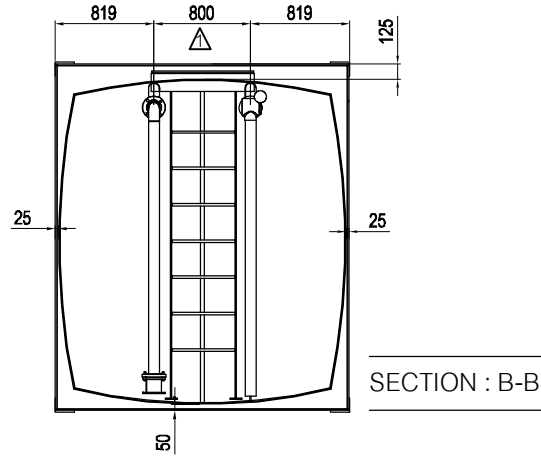
CONFIDENTIAL

This document and all information contained within it remains the property of Petro Industrial PVT. LTD and specified parties deemed by Petro Industrial PVT. LTD. No part of this document may be copied without explicit consent of Petro Industrial PVT. LTD.

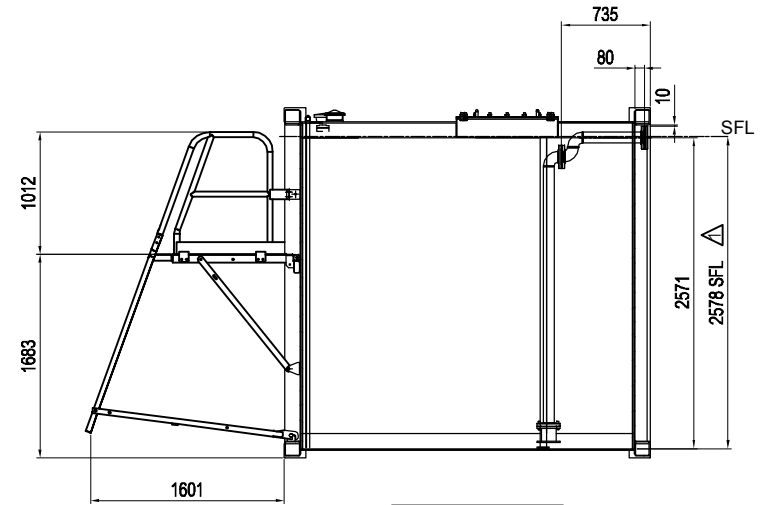
DRAWN:	DATE:	TITLE: X-Jumbo16000	
CHECKED:	DATE:	DRAWING NO:	
CLIENT:	DATE:	REV: 01	A3
APPROVED:	DATE:	SHEET: 1/3	
PURCHASE ORDER NO:		SCALE: none scale	



BACK LADDER for PACKING



PACKING



SECTION : A-A

01	20/08/15	move pipe upper SFL line and main hole	N.Pramote		
REV:	DATE:	REVISION:	DRAWN:	CHECKED:	APPROVED:



CONFIDENTIAL

This document and all information contained within it remains the property of Petro Industrial PVT. LTD and specified parties, owned by Petro Industrial PVT. LTD. No part of this document may be copied without explicit consent of Petro Industrial PVT. LTD.

DRAWN:	DATE:	TITLE: X-Jumbo16000	
CHECKED:	DATE:	DRAWING NO:	
CLIENT:	DATE:	REV: 01	A3
APPROVED:	DATE:	SHEET: 2/2	
PURCHASE ORDER NO:		SCALE: none scale	