

Size	Total Fill Level (L)	Safe Fill Level (L) 95%	Length (mm)	Width (mm)	Height (mm)
CUBE4500	4500L	4100L	3002	2046	1221

07					
06					
05					
04					
03					
02					
01					
REV:	DATE:	REVISION:	DRAWN:	CHECKED:	APPROVED:

Note:
 > Designed and approved to AS1940 / AS1692 / AS1657
 > All welding to AS1554.1

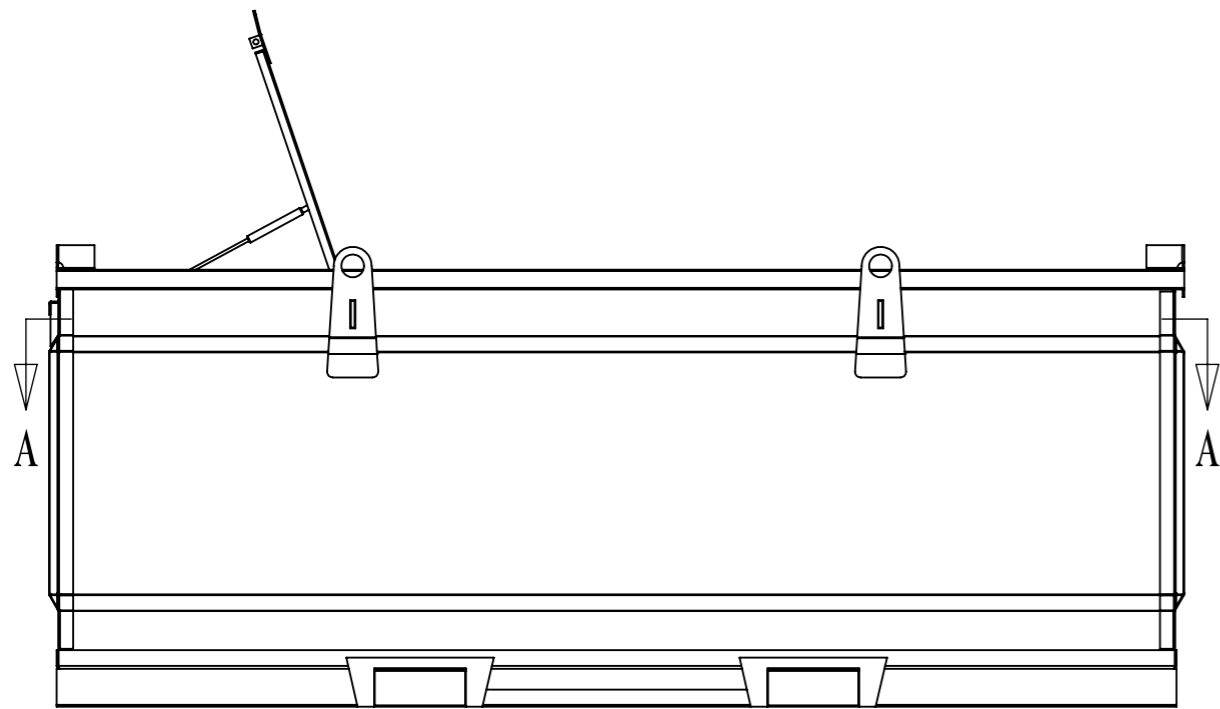


Material:
 Weight: 1734.96KG

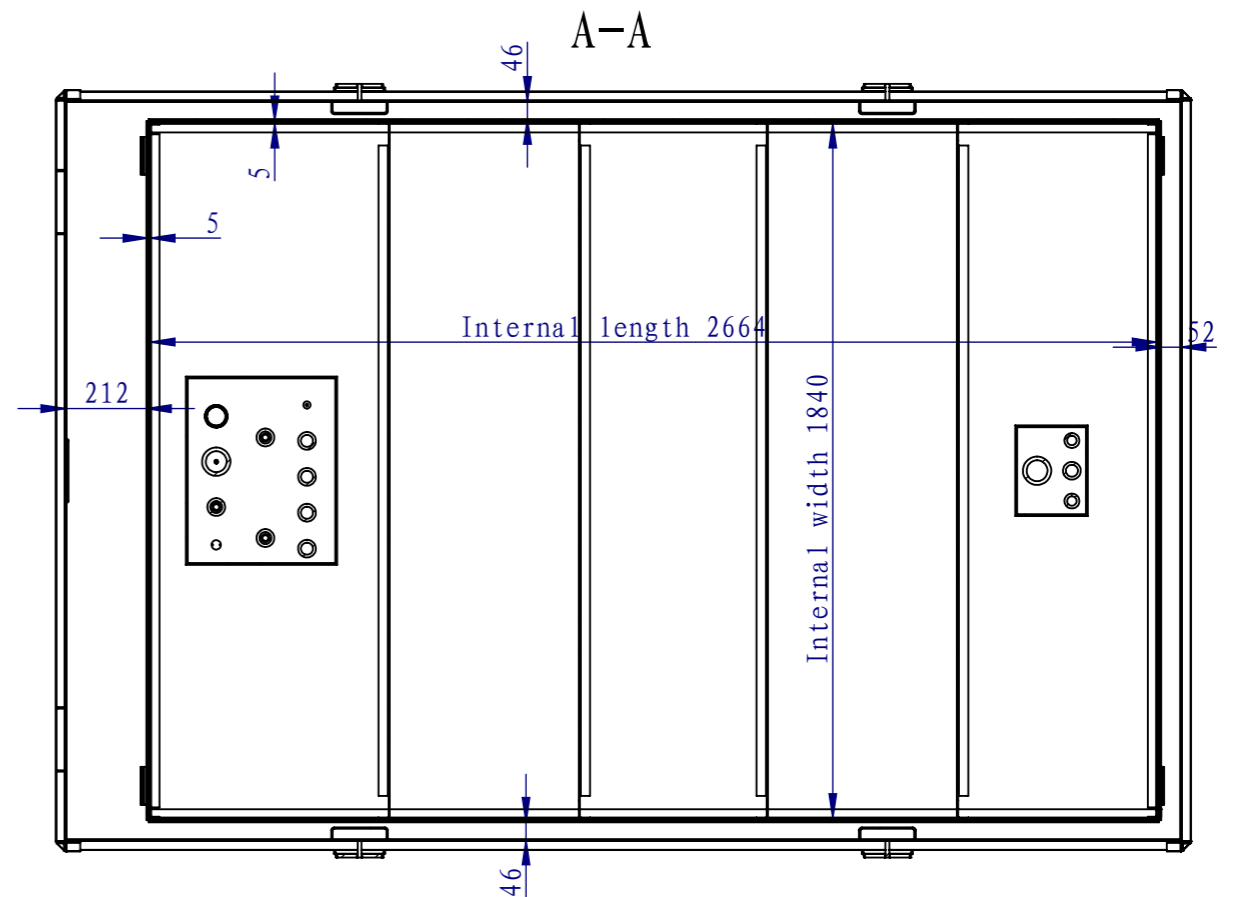
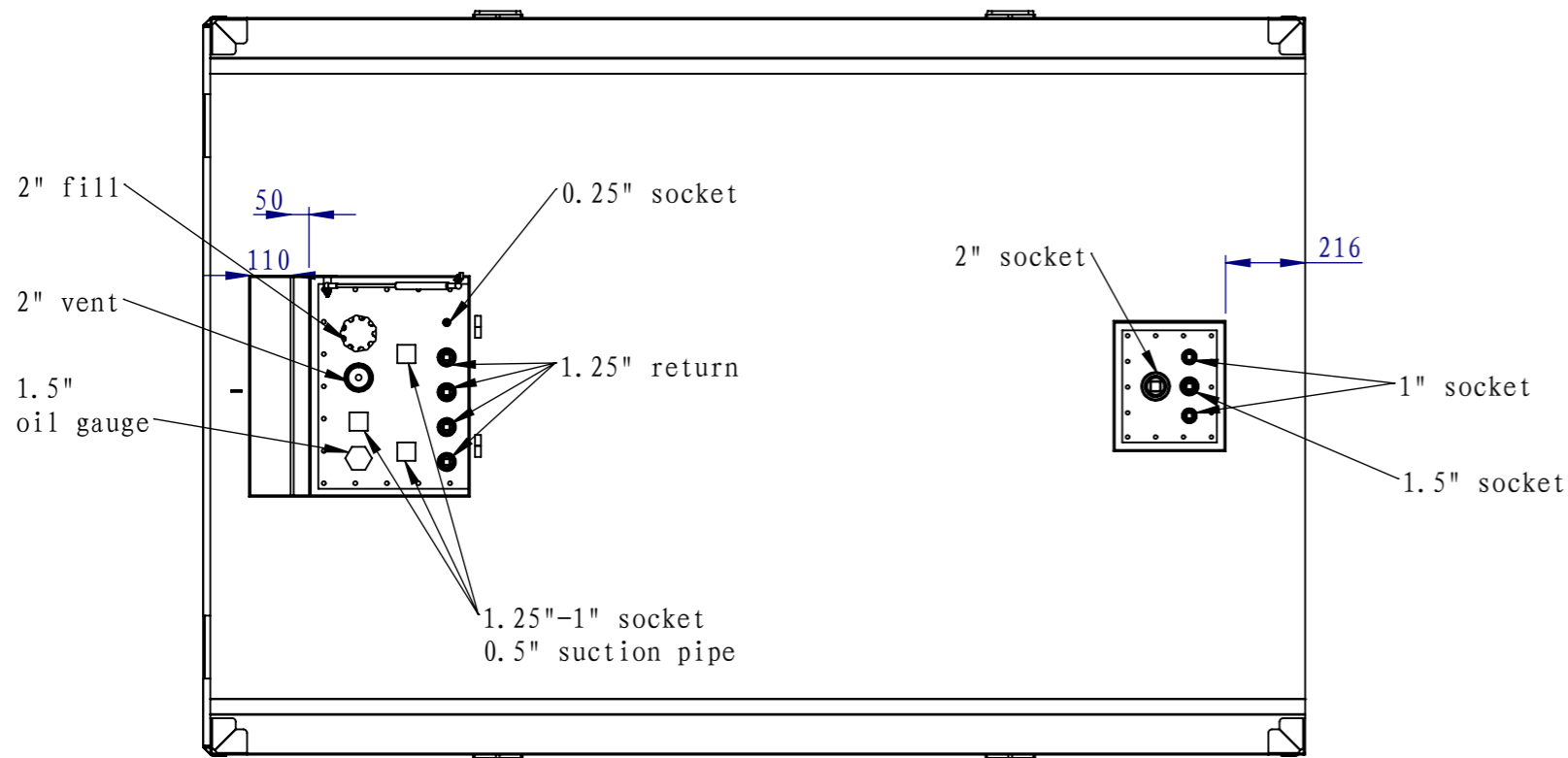
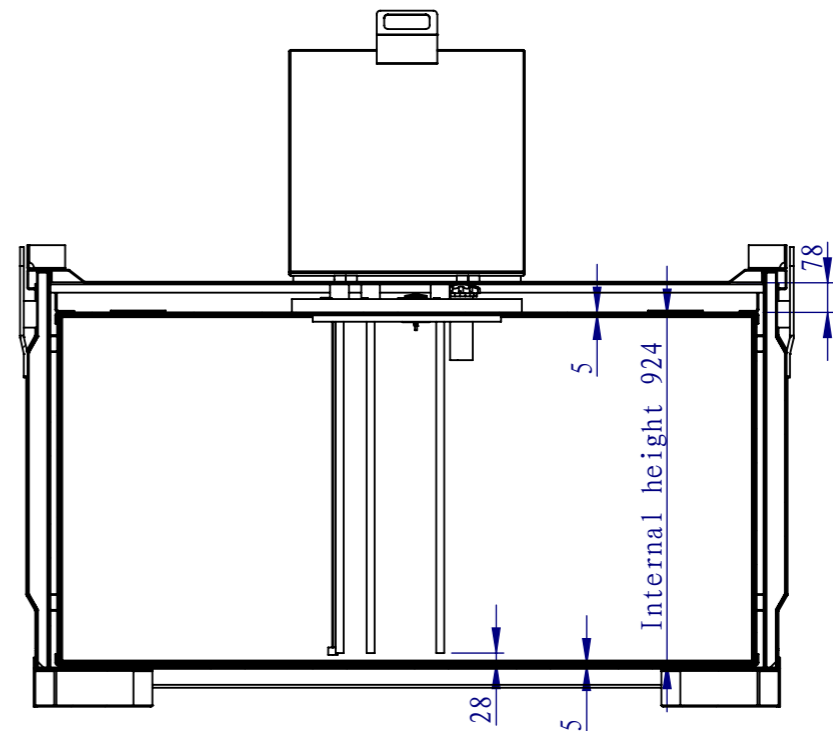
DRAWN:	DATE:	TITLE: X4500	
CHECKED:	DATE:		
CLIENT:	DATE:	DRAWING NO. :	REV: 01
APPROVED:	DATE:	PURCHASE ORDER NO. :	SHEET: 1 of 3
			Scale: No scale

A3





B ←



07					
06					
05					
04					
03					
02					
01					
REV:	DATE:	REVISION:	DRAWN:	CHECKED:	APPROVED:

Note:
1. All thread is BSP ;



Material:
Weight: 1734.96KG

DRAWN:
CHECKED:
CLIENT:
APPROVED:

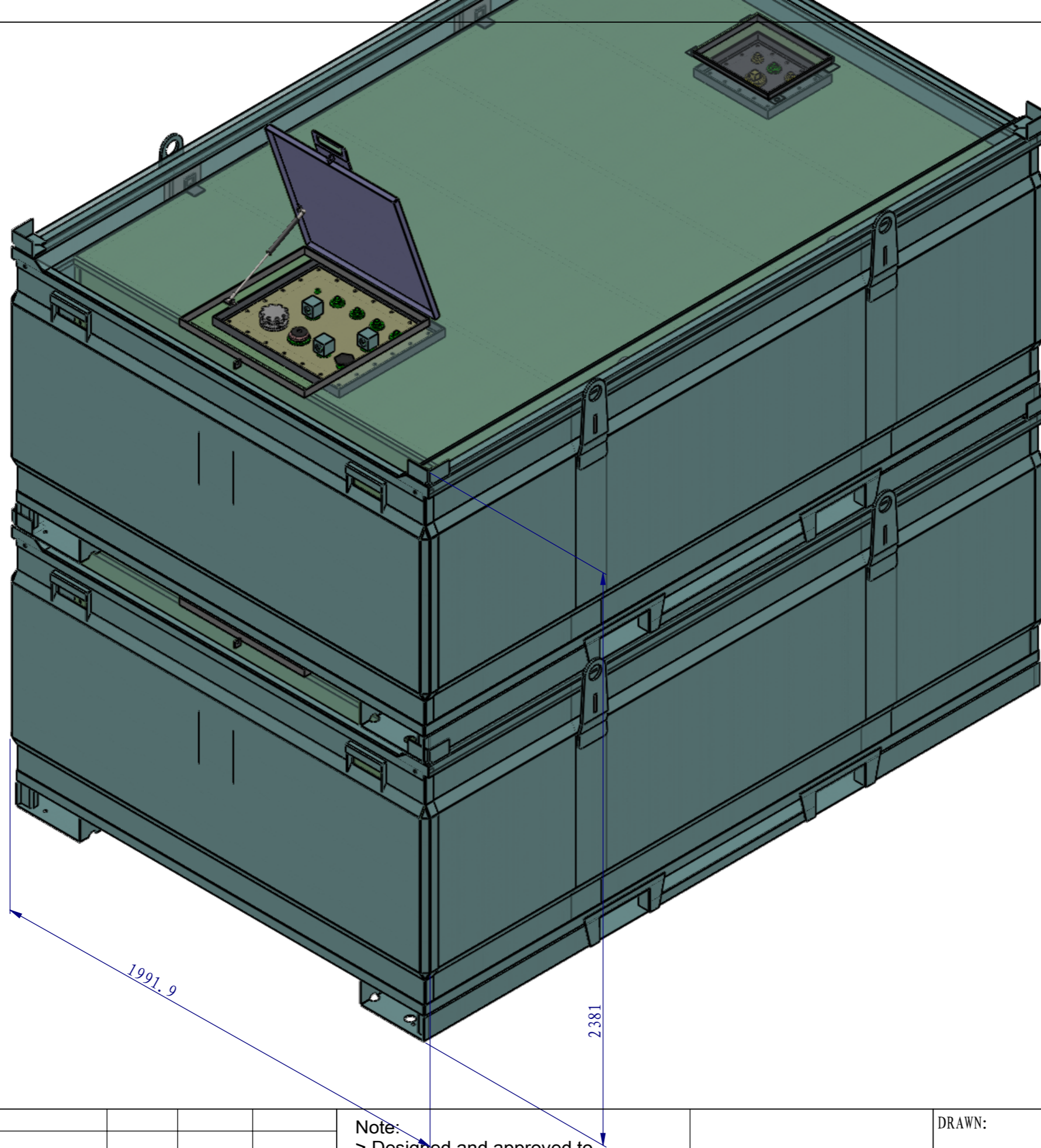
SAVING DATE:
DATE:
DATE:
DATE:

TITLE:
X4500
DRAWING NO. :
PURCHASE ORDER NO. :

REV:
SHEET:
2 of 3
Scale:
No scale

A3





07					
06					
05					
04					
03					
02					
01					
REV:	DATE:	REVISION:	DRAWN:	CHECKED:	APPROVED:

Note:
 > Designed and approved to AS1940 / AS1692 / AS1657
 > All welding to AS1554.1



Material:
 Weight: 3458.76KG

DRAWN:
 CHECKED:
 CLIENT:
 APPROVED:

DATE:
 2016/7/8
 DATE:
 DATE:
 DATE:

TITLE:
 X4500

DRAWING NO. :

PURCHASE ORDER NO. :

REV:
 01
 SHEET:
 3 of 3
 Scale:
 No scale

A3

