

Size	Total Fill Level (L)	Safe Fill Level (L) 95%	Length (mm)	Width (mm)	Height (mm)
X2000	2000L	1800L	2520	1126	1221

07					
06					
05					
04					
03					
02					
01					
REV:	DATE:	REVISION:	DRAWN:	CHECKED:	APPROVED:

Note:
 > Designed and approved to AS1940 / AS1692 / AS1657
 > All welding to AS1554.1



Material:
 Weight: 854.30KG

DRAWN: DATE: 2016/7/11
 CHECKED: DATE:
 CLIENT: DATE:
 APPROVED: DATE:

TITLE: X2000

DRAWING NO. :

PURCHASE ORDER NO. :

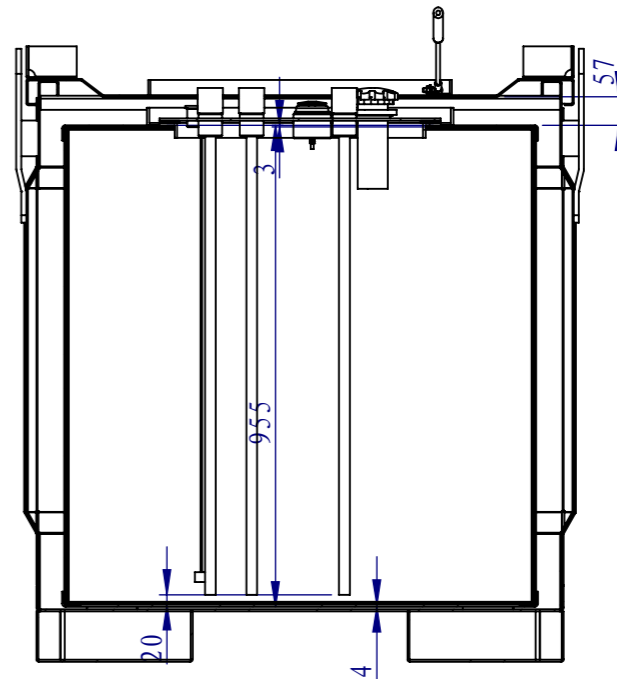
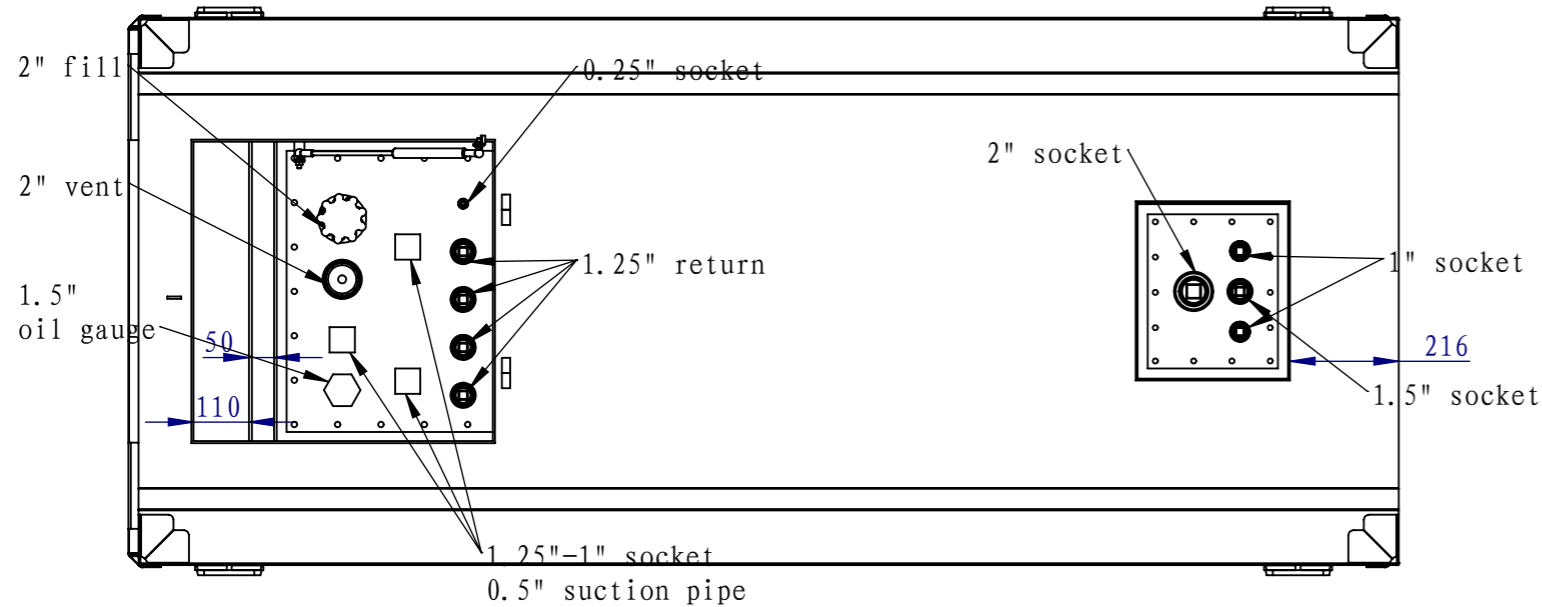
REV: 01
 SHEET: 1 of 3
 Scale: No scale

A3



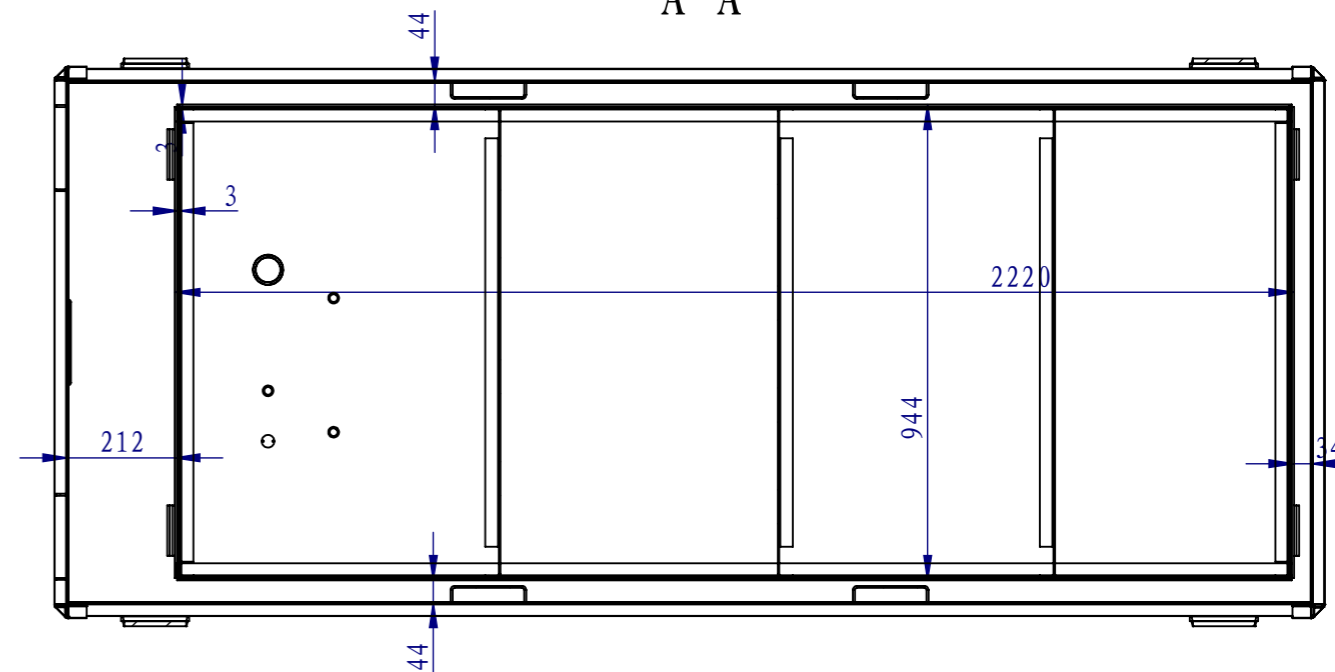


B ←



↙
A

A-A



07					
06					
05					
04					
03					
02					
01					
REV:	DATE:	REVISION:	DRAWN:	CHECKED:	APPROVED:

Note:
1. All thread is BSP ;



Material:
Weight: 854.30KG

DRAWN:
CHECKED:
CLIENT:
APPROVED:

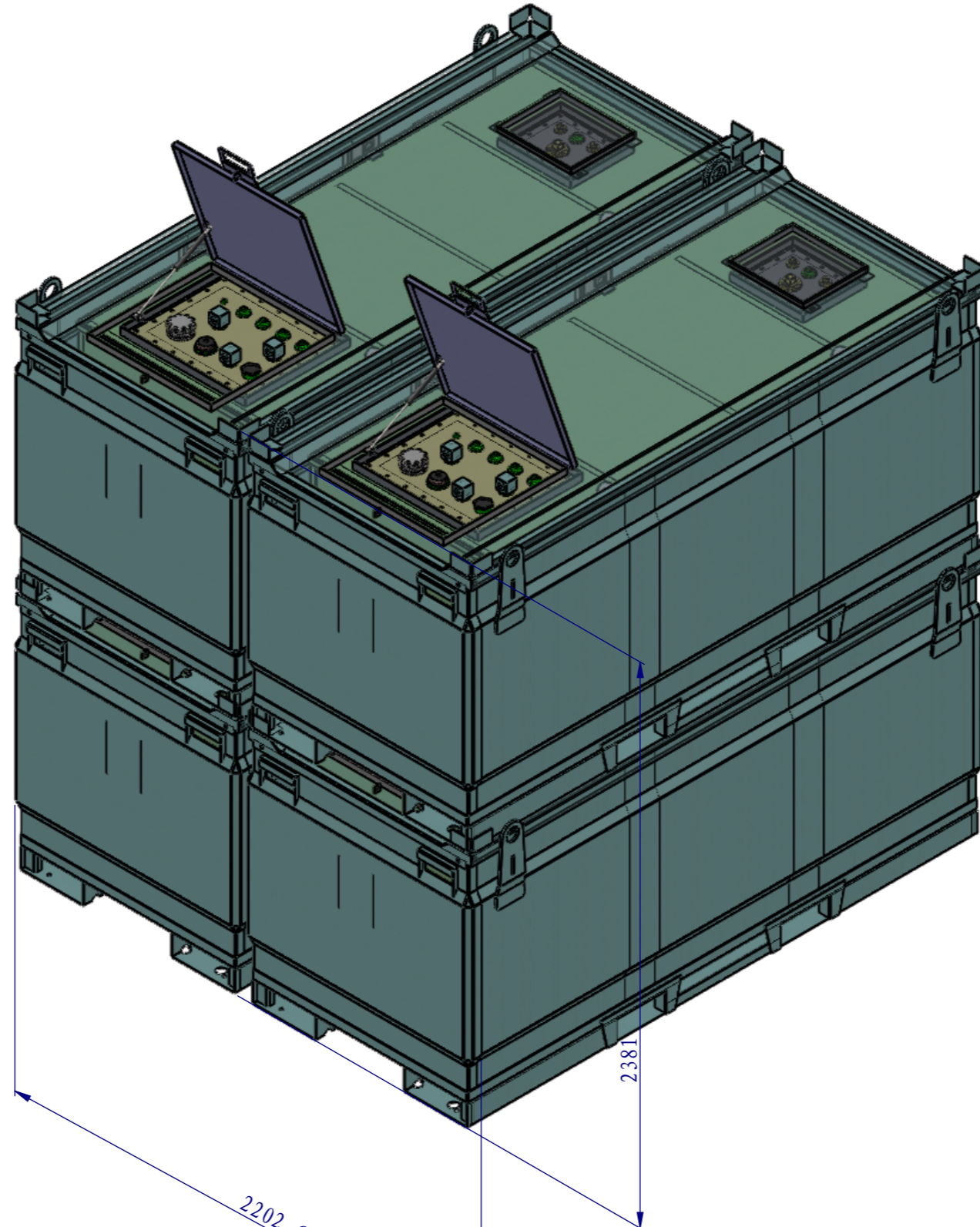
SAVING DATE: 2016/7/11
DATE:
DATE:
DATE:

TITLE: X2000
DRAWING NO. :
PURCHASE ORDER NO. :

REV:
SHEET: 2 of 3
Scale: No scale

A3





07					
06					
05					
04					
03					
02					
01					
REV:	DATE:	REVISION:	DRAWN:	CHECKED:	APPROVED:

Note:
 > Designed and approved to AS1940 / AS1692 / AS1657
 > All welding to AS1554.1



Material:
 Weight: 3406.03KG

DRAWN:
 CHECKED:
 CLIENT:
 APPROVED:

DATE:
 2016/7/11
 DATE:
 DATE:
 DATE:

TITLE:
 X2000

DRAWING NO. :

PURCHASE ORDER NO. :

REV:
 01
 SHEET:
 3 of 3
 Scale:
 No scale

A3

