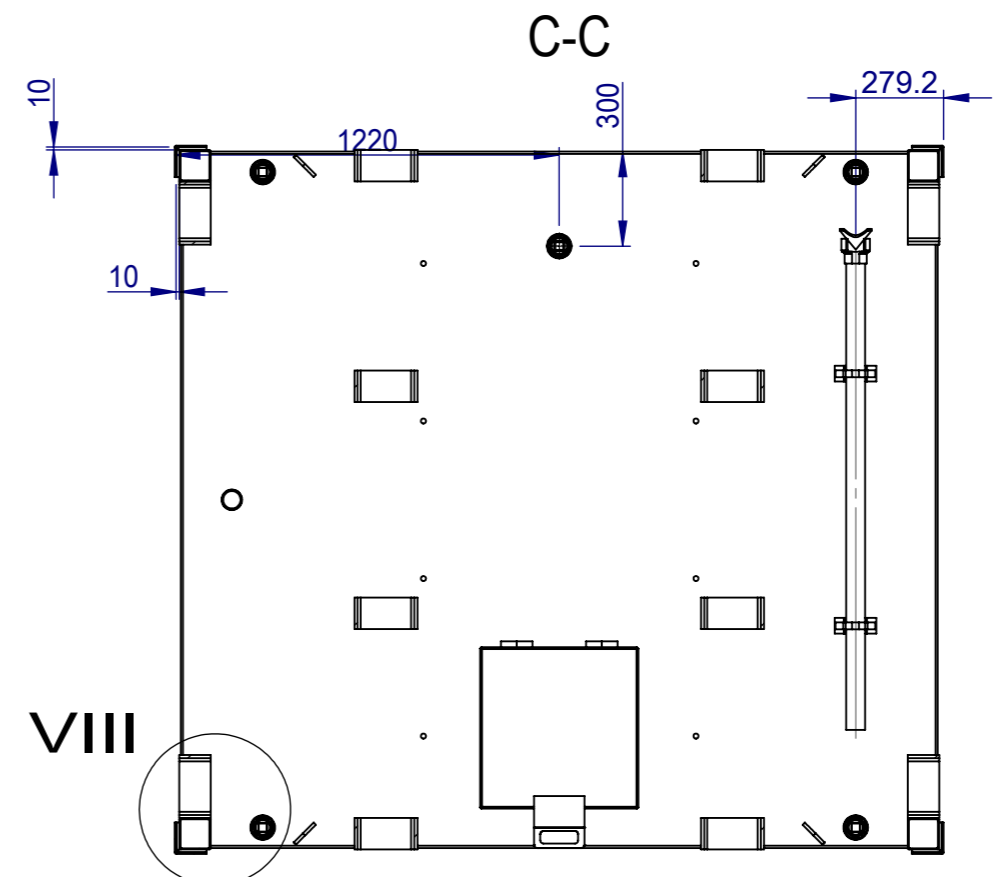
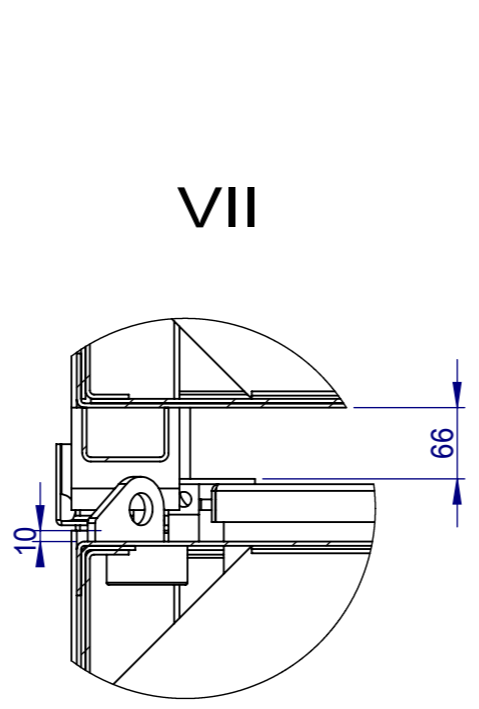
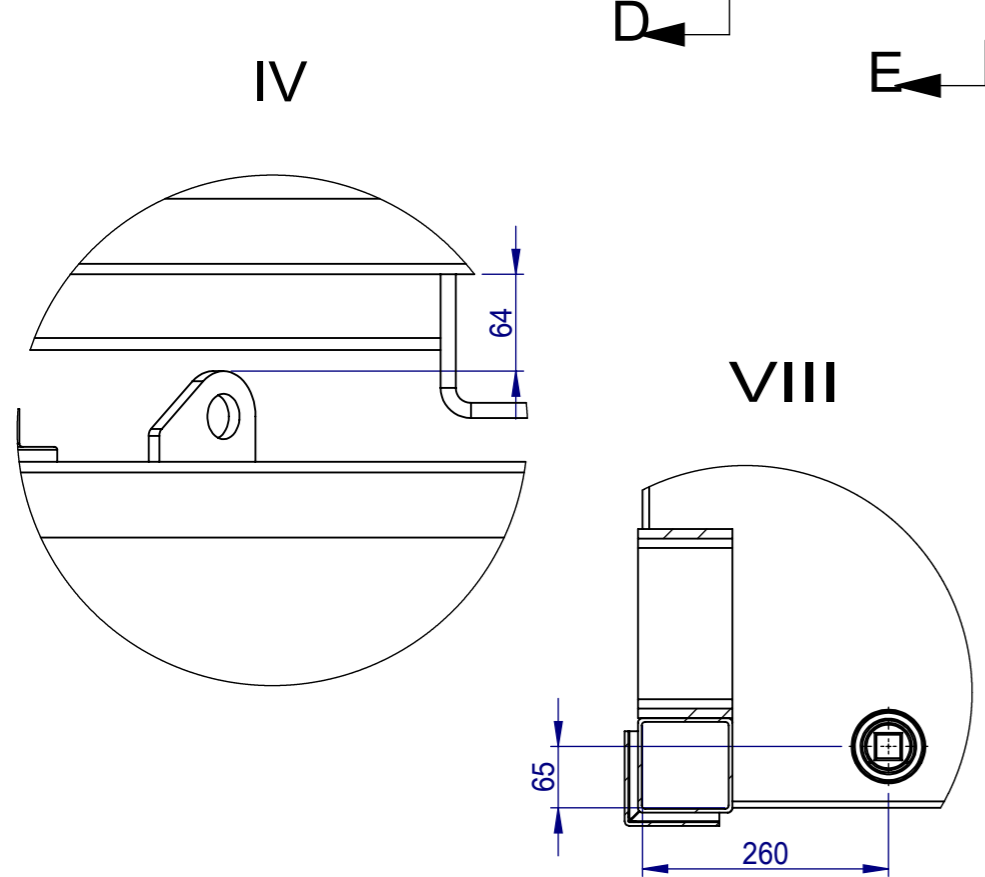
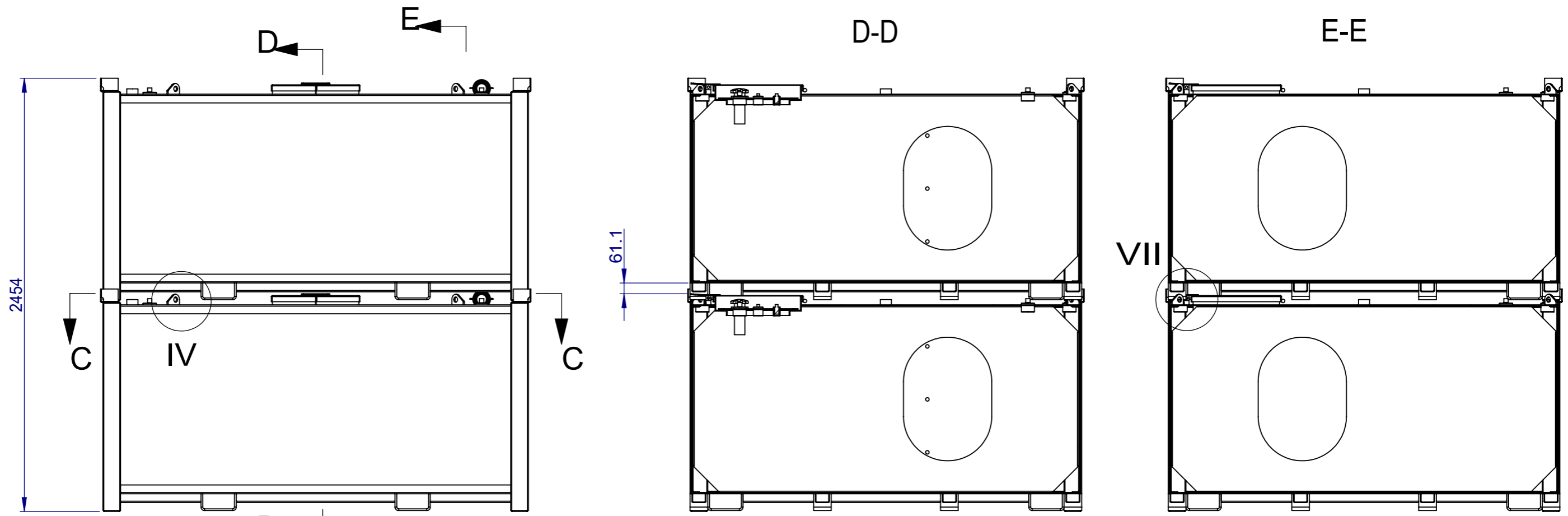


07					
06					
05					
04					
03					
02					
01					
REV:	DATE:	REVISION:	DRAWN:	CHECKED:	APPROVED:

	DRAWN:	DATE:	TITLE: P5500	
	CHECKED:	DATE:		
	CLIENT:	DATE:	DRAWING NO. :	
	APPROVED:	DATE:		
Material:			PURCHASE ORDER NO. :	
Weight:	1397.61KG		Scale: No scale	

REV: 01  
SHEET: 3 of 4  
Scale: No scale

**A3**



07					
06					
05					
04					
03					
02					
01					
REV:	DATE:	REVISION:	DRAWN:	CHECKED:	APPROVED:

	DRAWN:	DATE:	TITLE:	
	CHECKED:	DATE:		
	CLIENT:	DATE:	DRAWING NO. :	
	APPROVED:	DATE:	PURCHASE ORDER NO. :	
Material:			REV: 01	
Weight:	2795.23KG		SHEET: 4 of 4	
			Scale: No scale	

A3

