
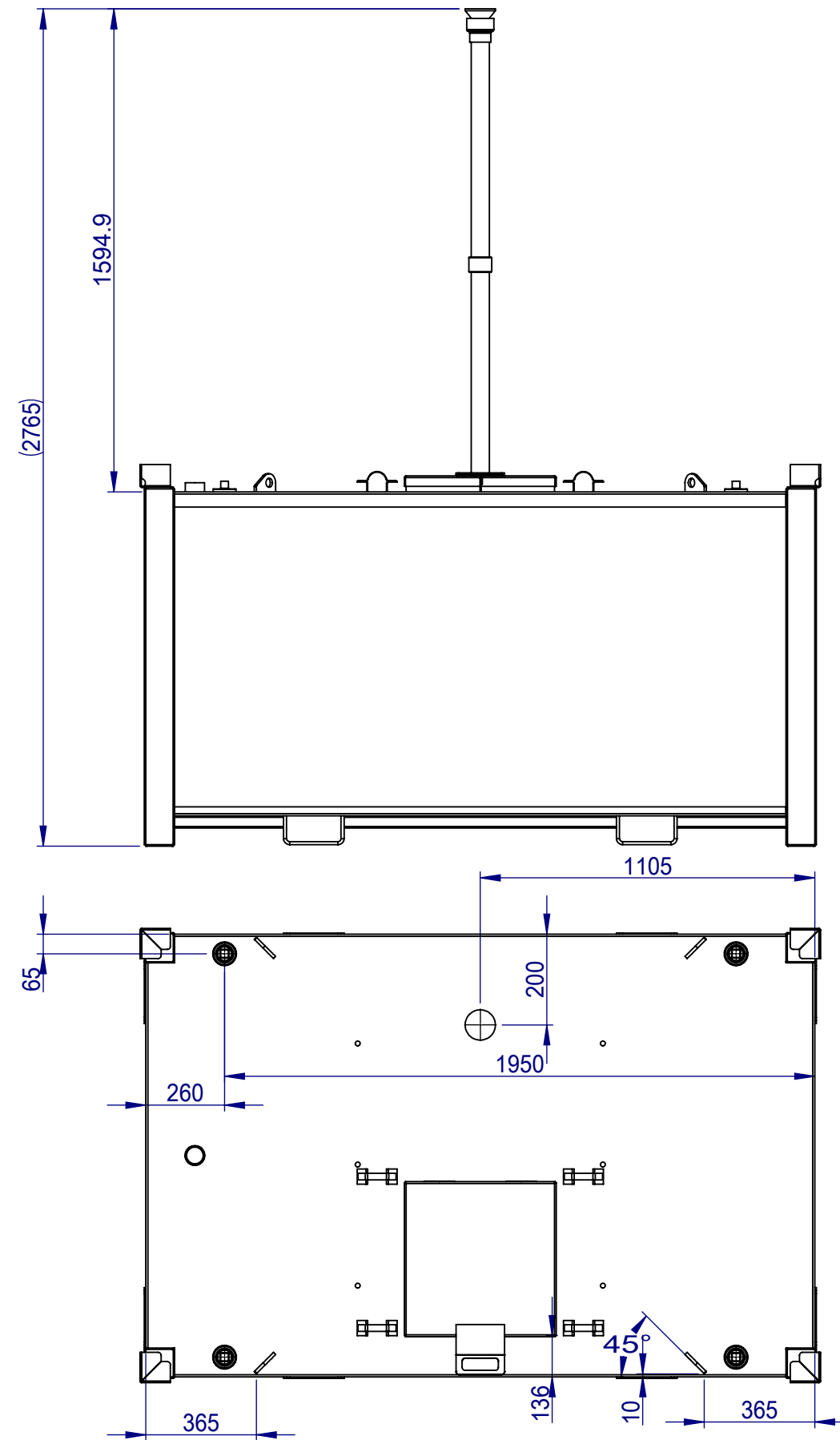
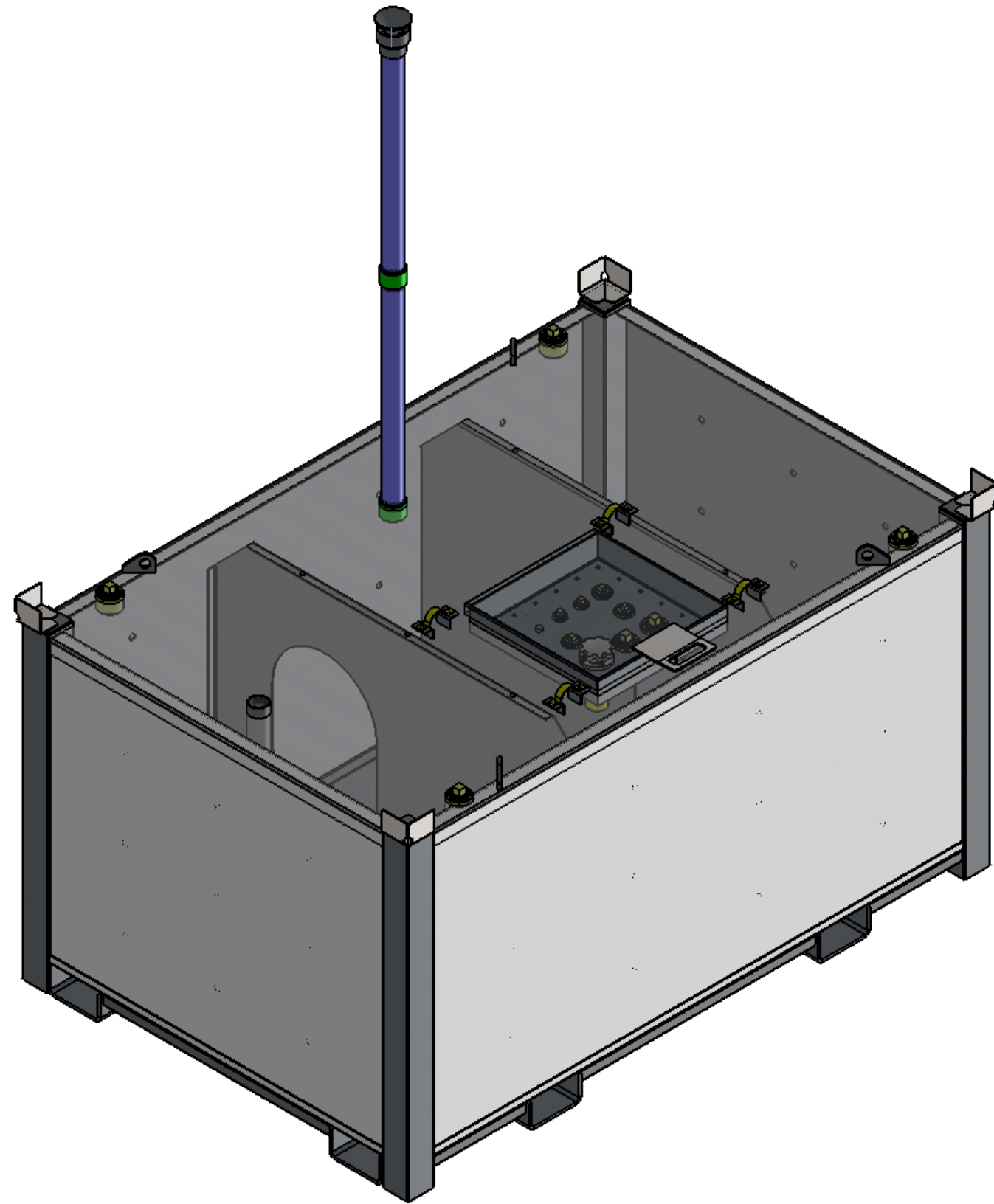


07					
06					
05					
04					
03					
02					
01					
REV:	DATE:	REVISION:	DRAWN:	CHECKED:	APPROVED:

	DRAWN:	DATE:	TITLE:	
		2015/12/21	P3300	
	CHECKED:	DATE:	DRAWING NO. :	
	CLIENT:	DATE:		REV: 01
	APPROVED:	DATE:		SHEET: 1 of 5
Material:			PURCHASE ORDER NO. :	Scale: No scale
Weight:	1016.88KG			A3



07					
06					
05					
04					
03					
02					
01					
REV:	DATE:	REVISION:	DRAWN:	CHECKED:	APPROVED:



Material:
Weight: 1016.88KG

DRAWN:

CHECKED:

CLIENT:

APPROVED:

DATE:

DATE:

DATE:

DATE:

TITLE:

P3300

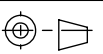
DRAWING NO. :

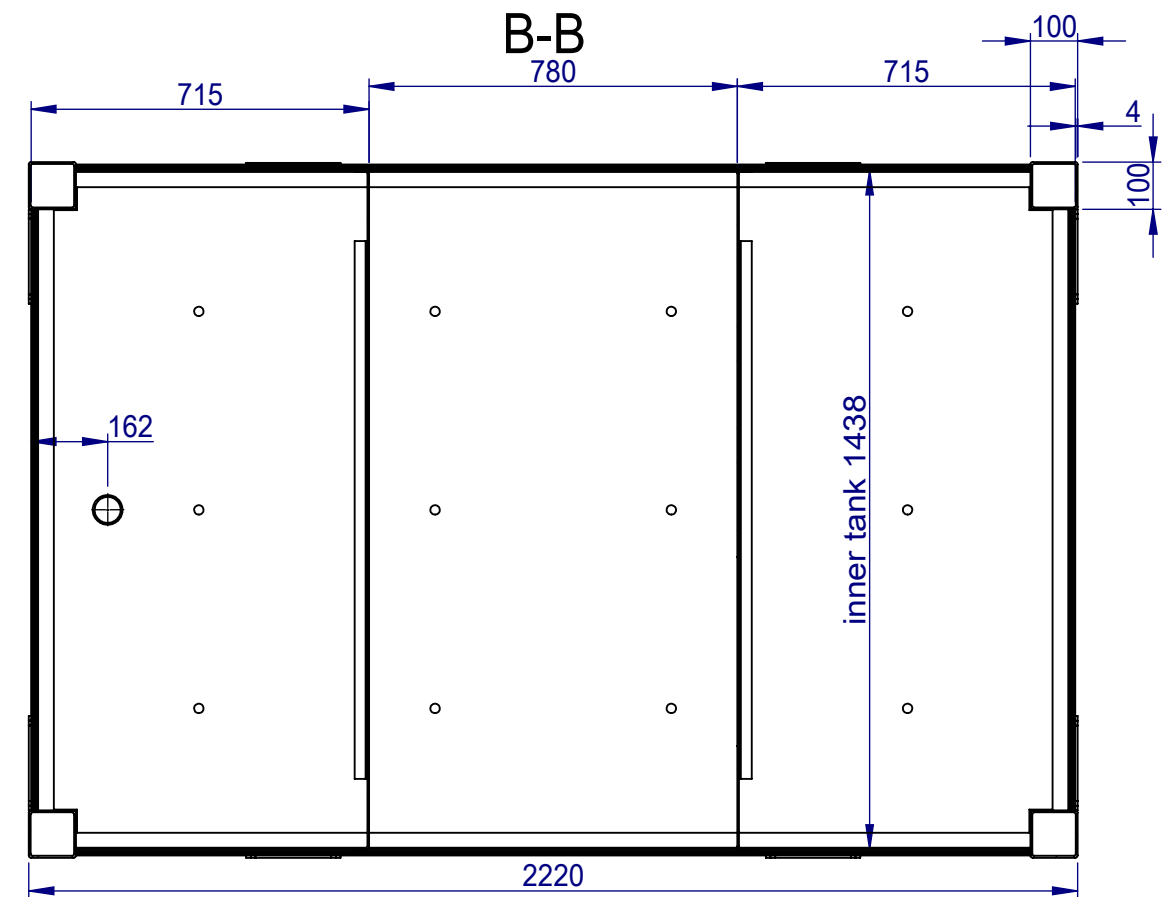
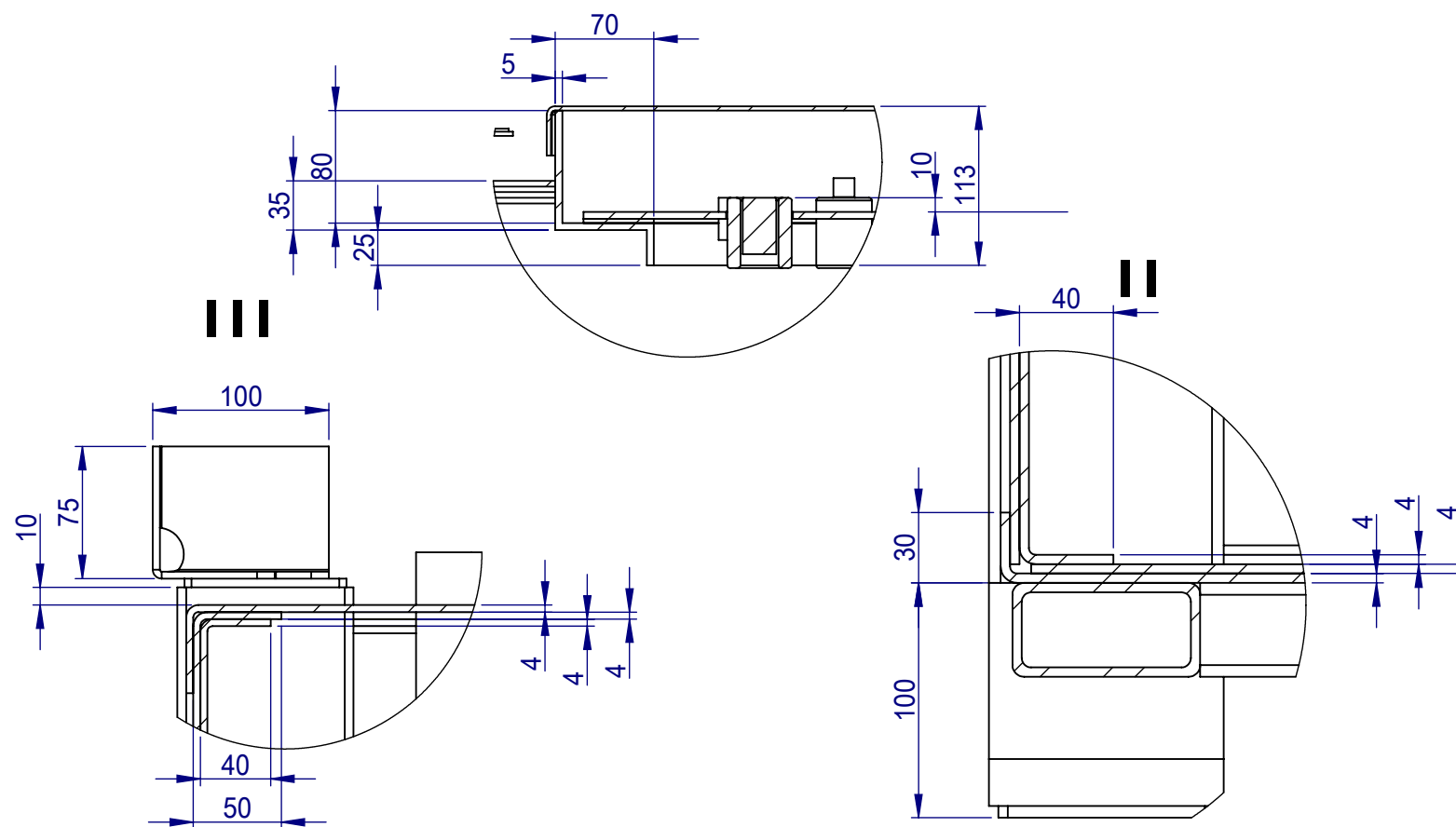
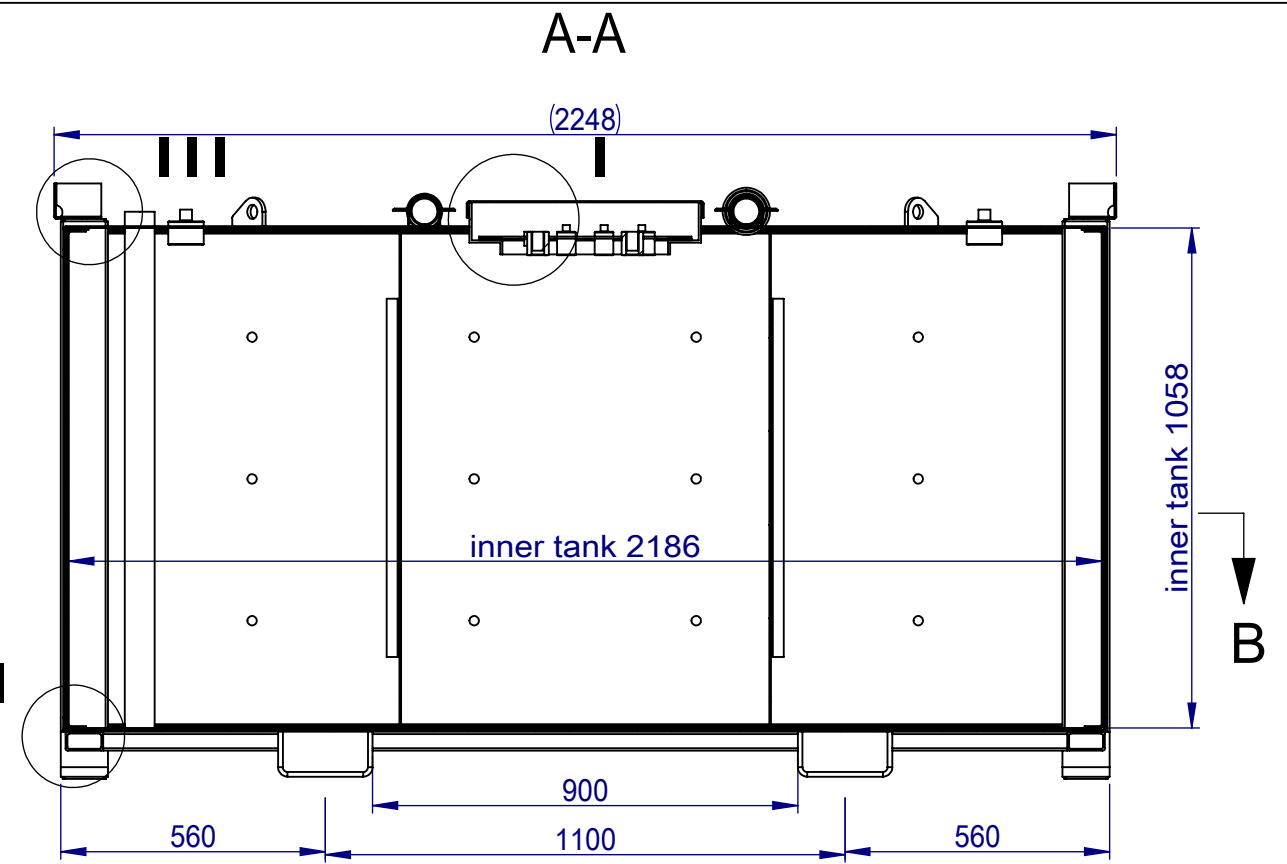
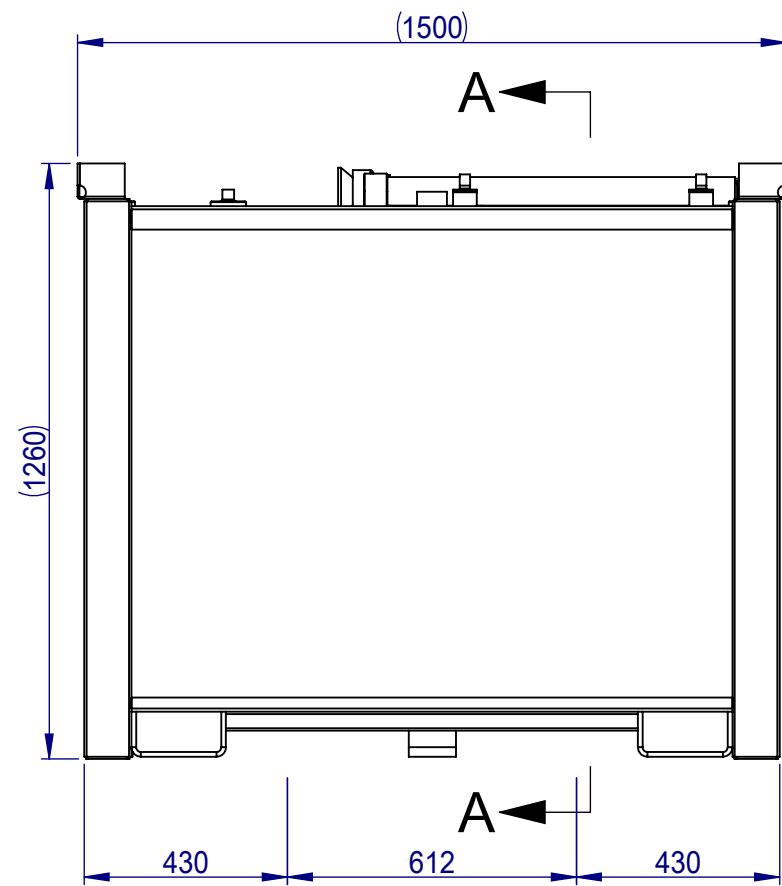
PURCHASE
ORDER NO. :

REV:
01
SHEET:
2 of 5

Scale:
No scale

A3





07					
06					
05					
04					
03					
02					
01					
REV:	DATE:	REVISION:	DRAWN:	CHECKED:	APPROVED:



Material:
Weight: 1016.88KG

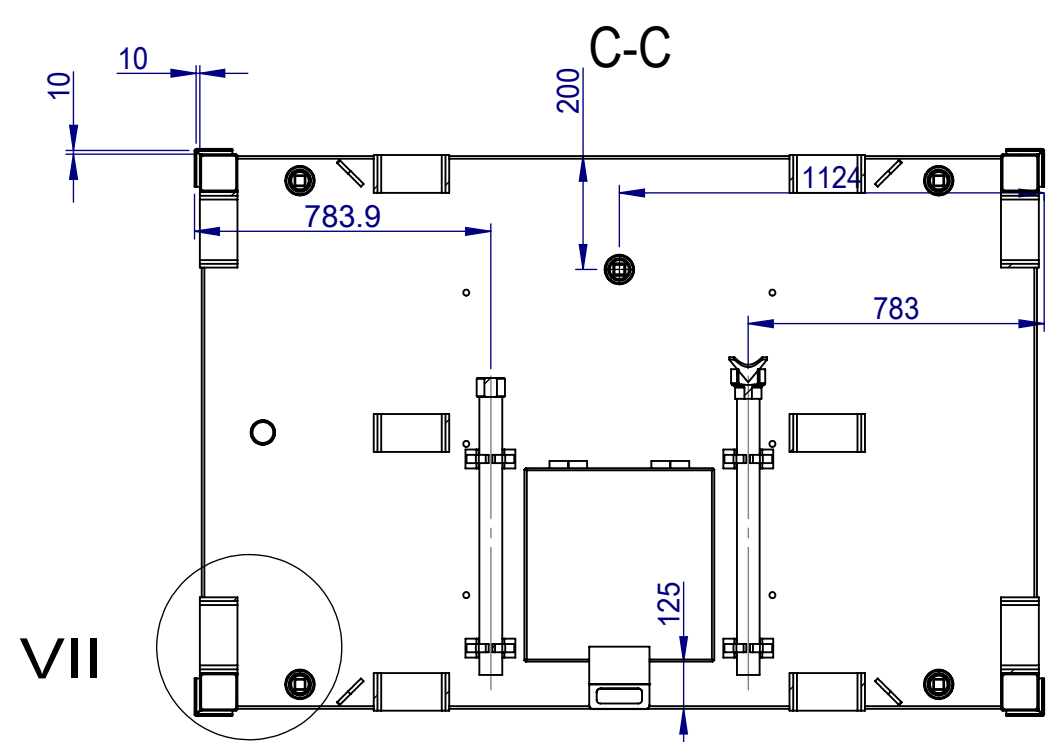
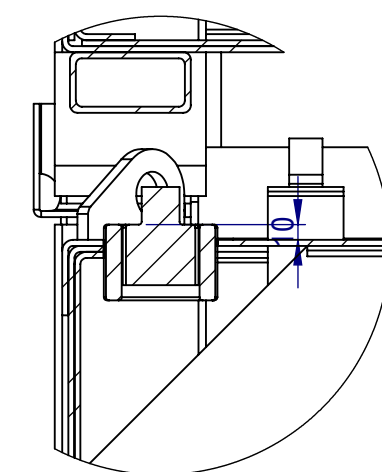
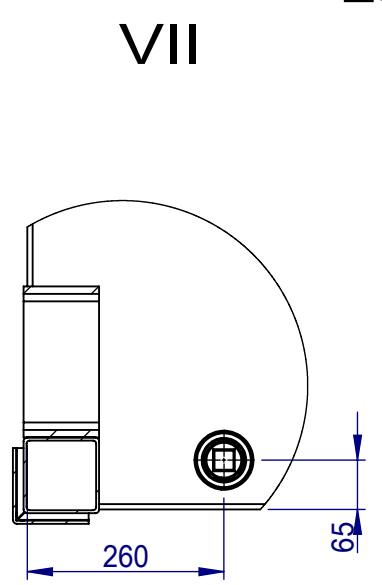
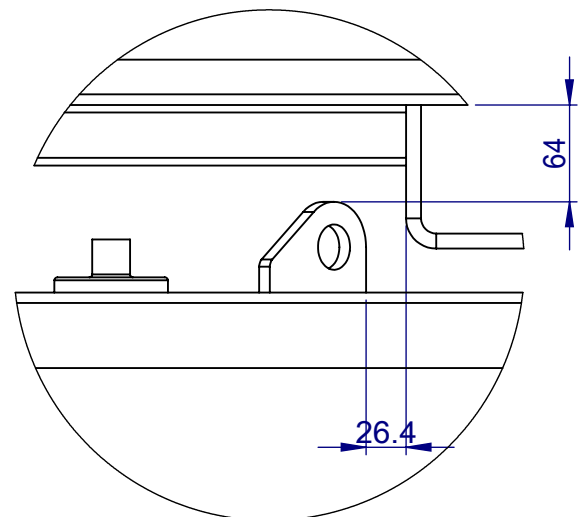
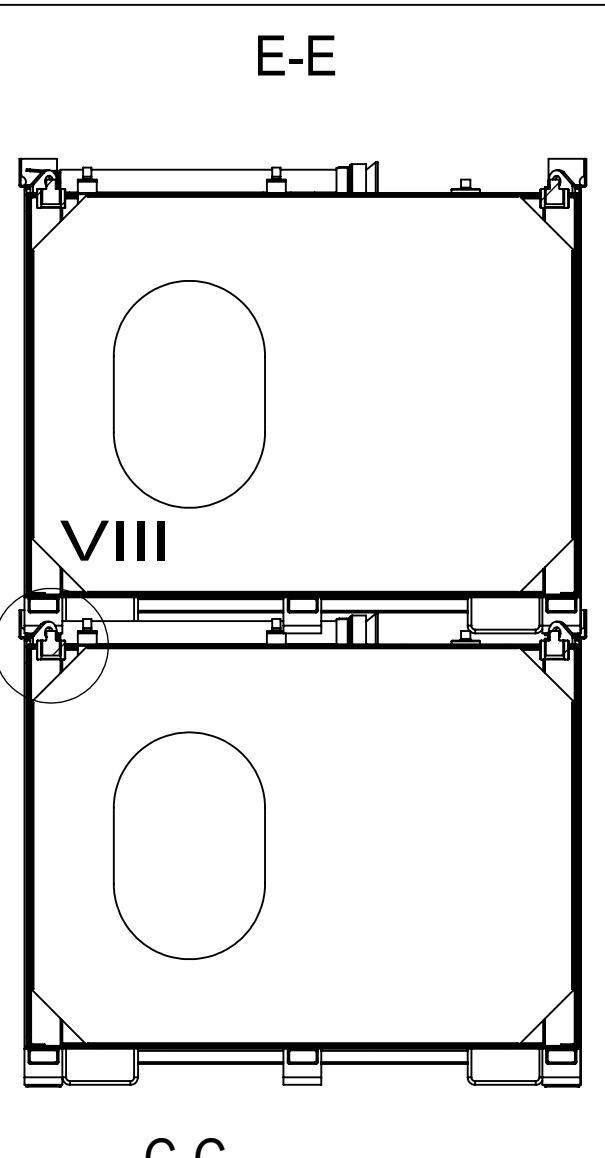
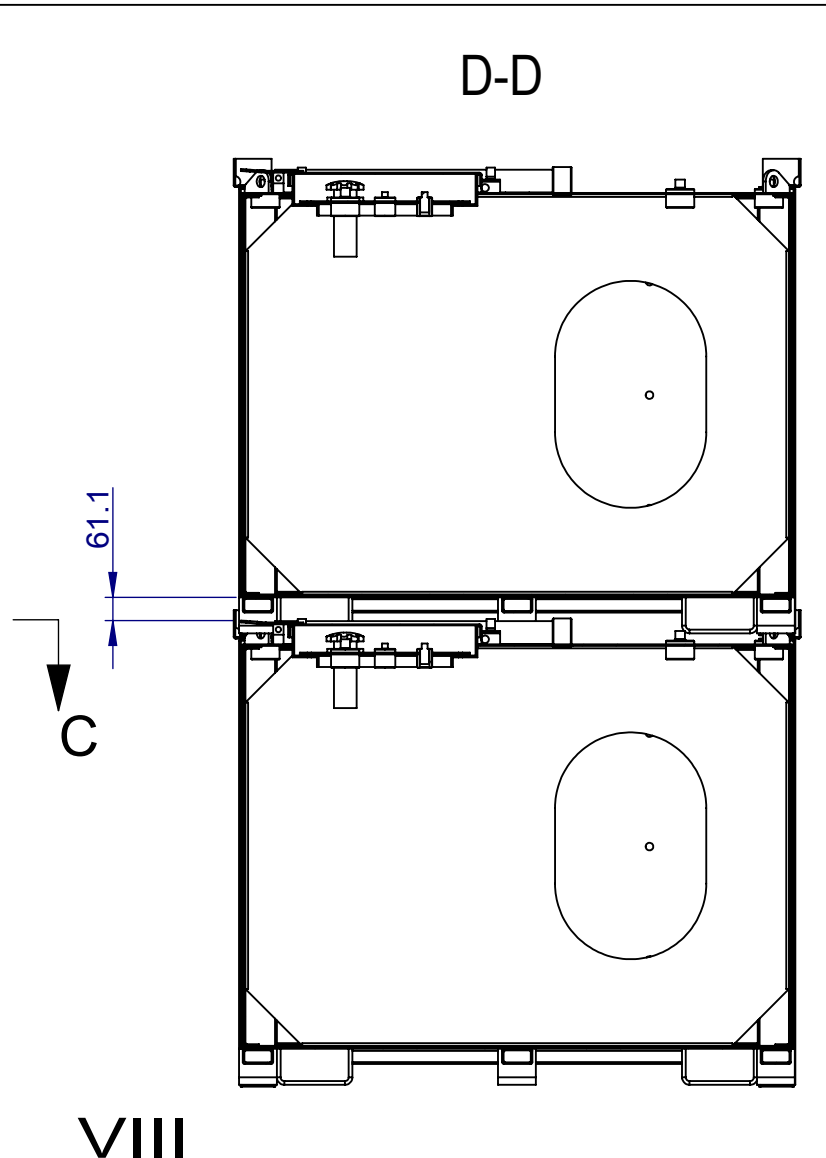
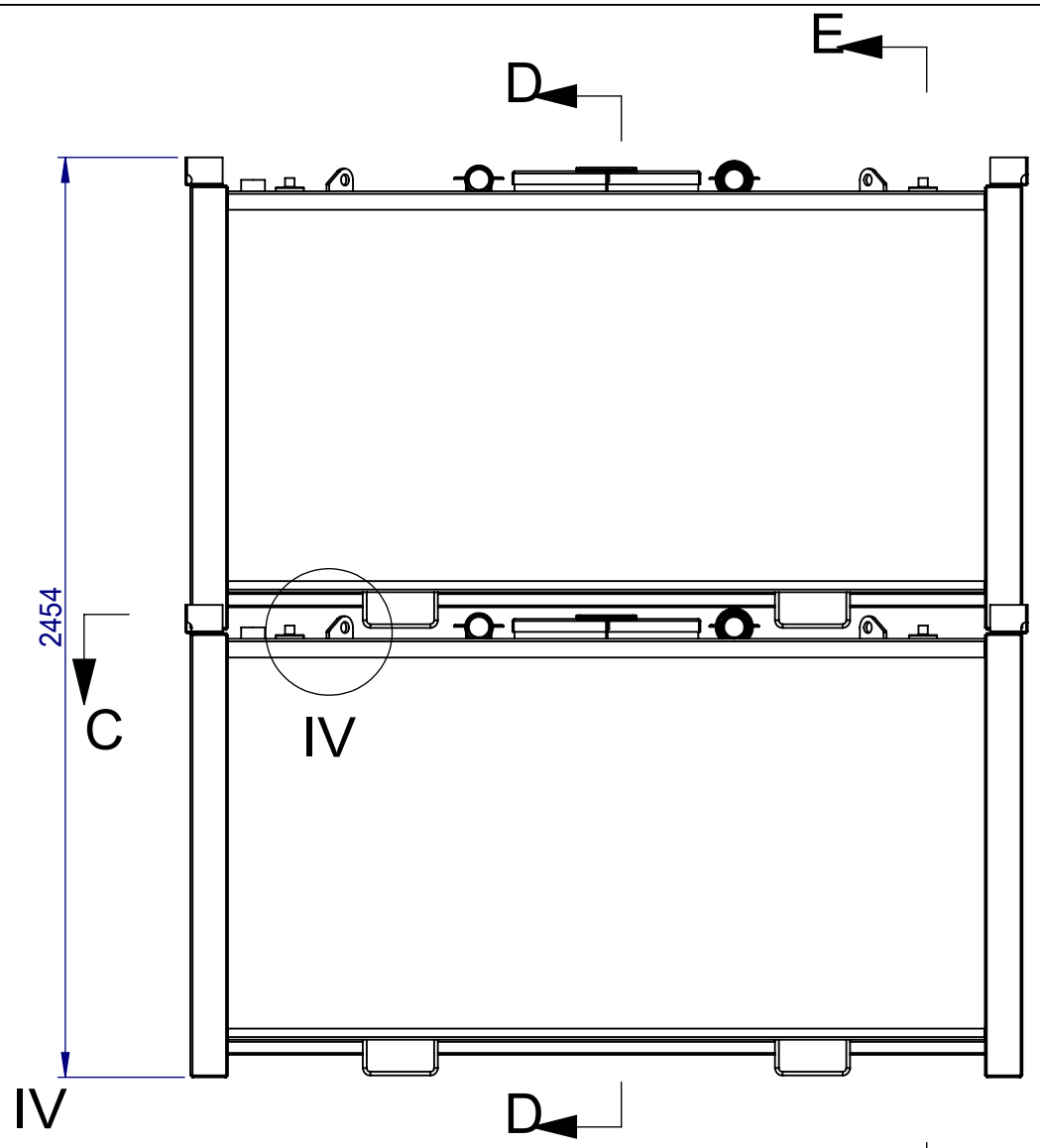
DRAWN:
DATE: 2015/12/21
CHECKED:
DATE:
CLIENT:
DATE:
APPROVED:
DATE:

TITLE:
P3300
DRAWING NO. :

REV: 01
SHEET: 3 of 5
Scale: No scale

A3





07					
06					
05					
04					
03					
02					
01					
REV:	DATE:	REVISION:	DRAWN:	CHECKED:	APPROVED:

	DRAWN:	DATE:	TITLE:	
		2015/12/21		
	CHECKED:	DATE:	DRAWING NO. :	
	CLIENT:	DATE:	REV: 01	
	APPROVED:	DATE:	SHEET: 4 of 5	
Material:			PURCHASE ORDER NO. :	
Weight:	2033.75KG		Scale: No scale	

A3

