

The volume of tank is 1000SFL

| | | | | | |
|------|-------|-----------|--------|----------|-----------|
| 07 | | | | | |
| 06 | | | | | |
| 05 | | | | | |
| 04 | | | | | |
| 03 | | | | | |
| 02 | | | | | |
| 01 | | | | | |
| REV: | DATE: | REVISION: | DRAWN: | CHECKED: | APPROVED: |



Material:
Weight: 516.65KG

DRAWN:
DATE: 2015/12/21
CHECKED:
DATE:
CLIENT:
DATE:
APPROVED:
DATE:

TITLE:
P1100

DRAWING NO. :

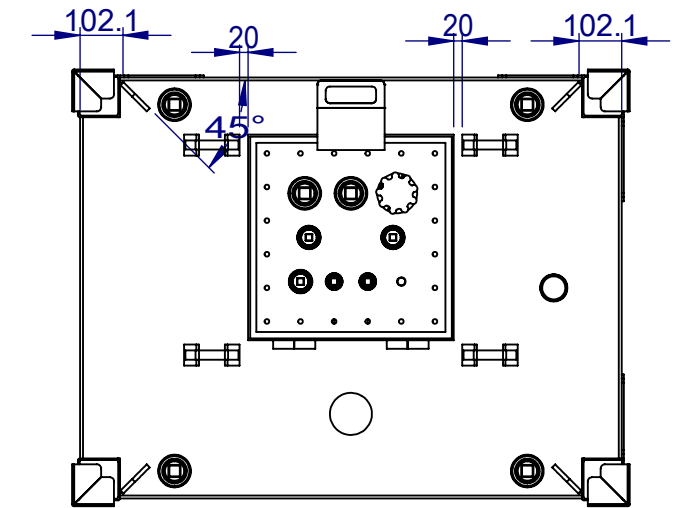
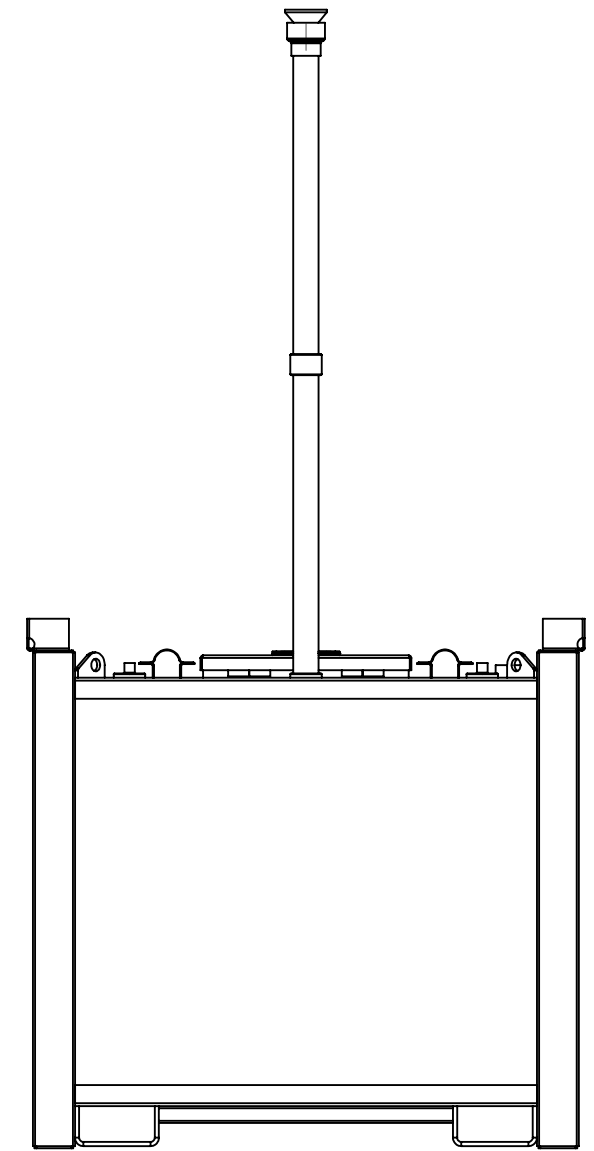
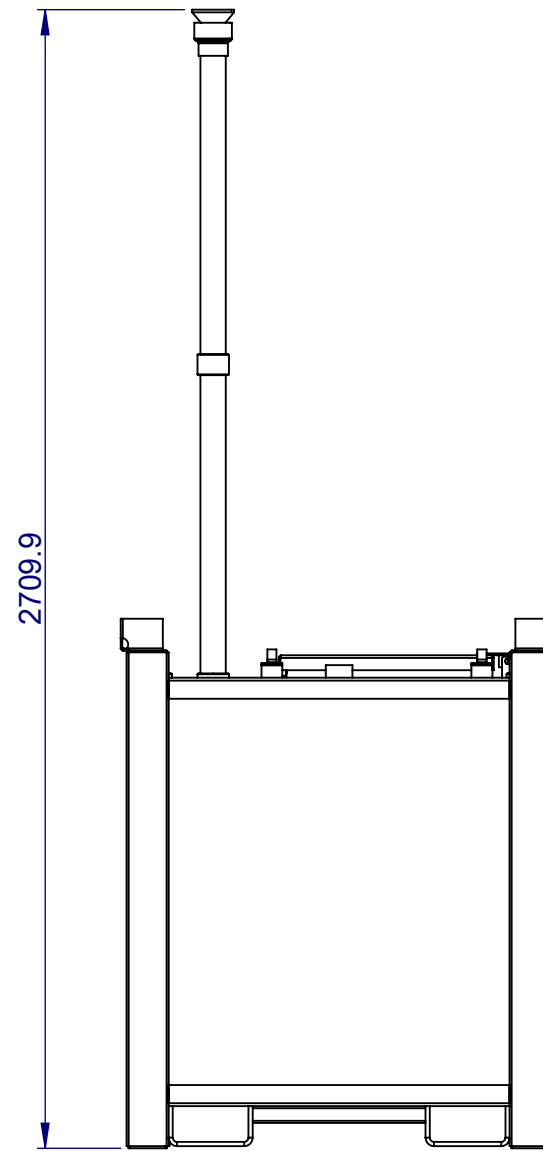
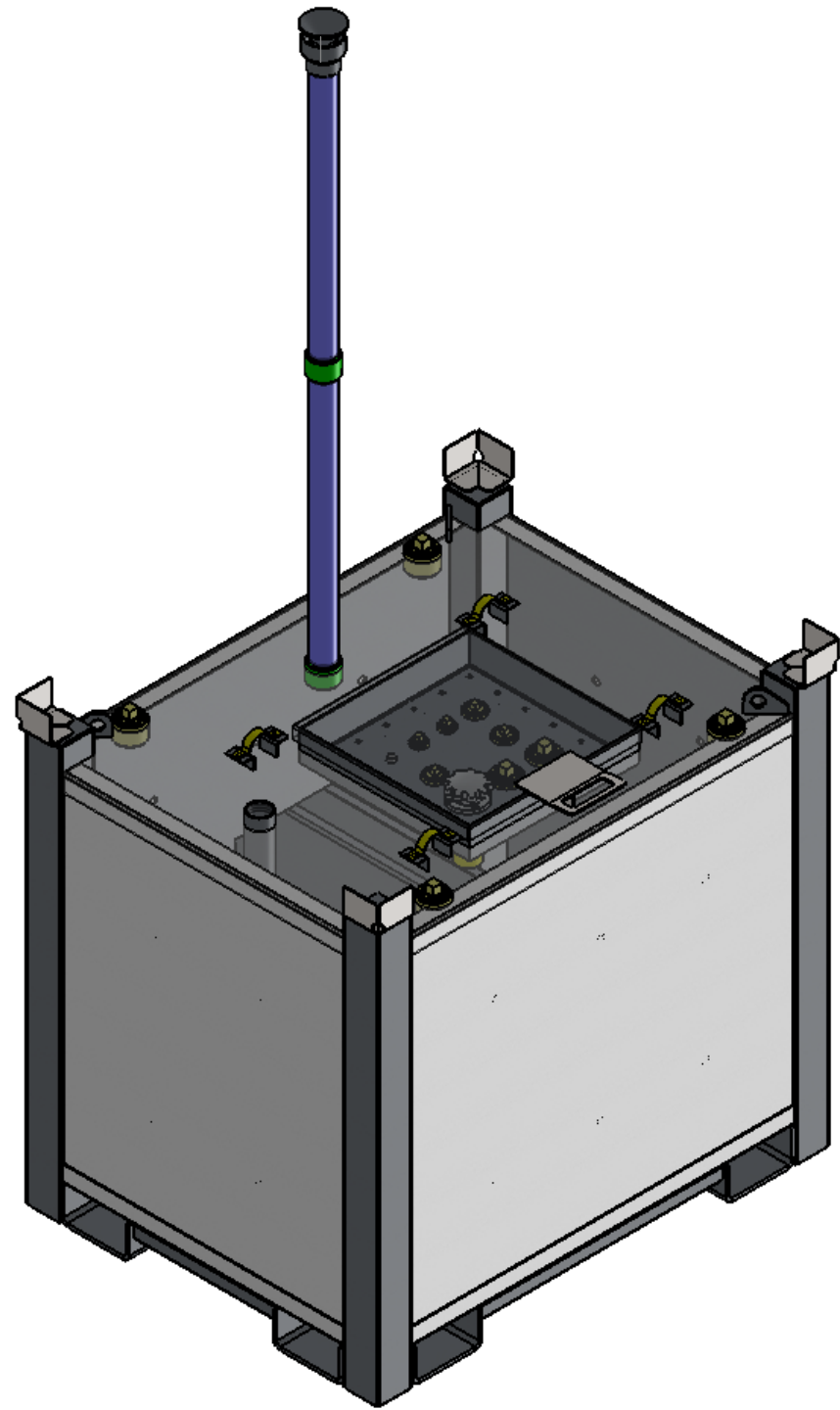
PURCHASE
ORDER NO. :

REV:
01
SHEET:
1 of 4

Scale:
No scale

A3





| | | | | | |
|------|-------|-----------|--------|----------|-----------|
| 07 | | | | | |
| 06 | | | | | |
| 05 | | | | | |
| 04 | | | | | |
| 03 | | | | | |
| 02 | | | | | |
| 01 | | | | | |
| REV: | DATE: | REVISION: | DRAWN: | CHECKED: | APPROVED: |



Material:
Weight: 546.22KG

DRAWN:

CHECKED:

CLIENT:

APPROVED:

DATE:

DATE:

DATE:

DATE:

TITLE:

P1100

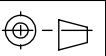
DRAWING NO. :

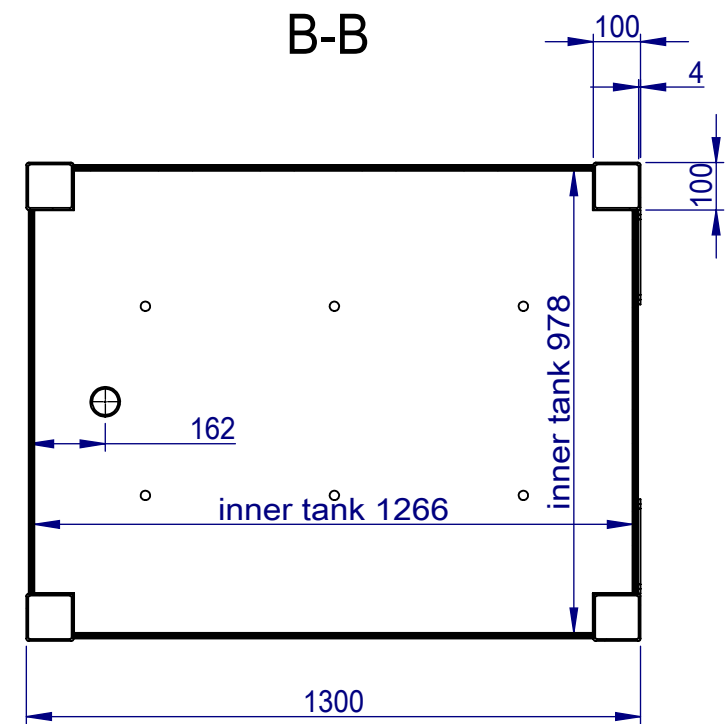
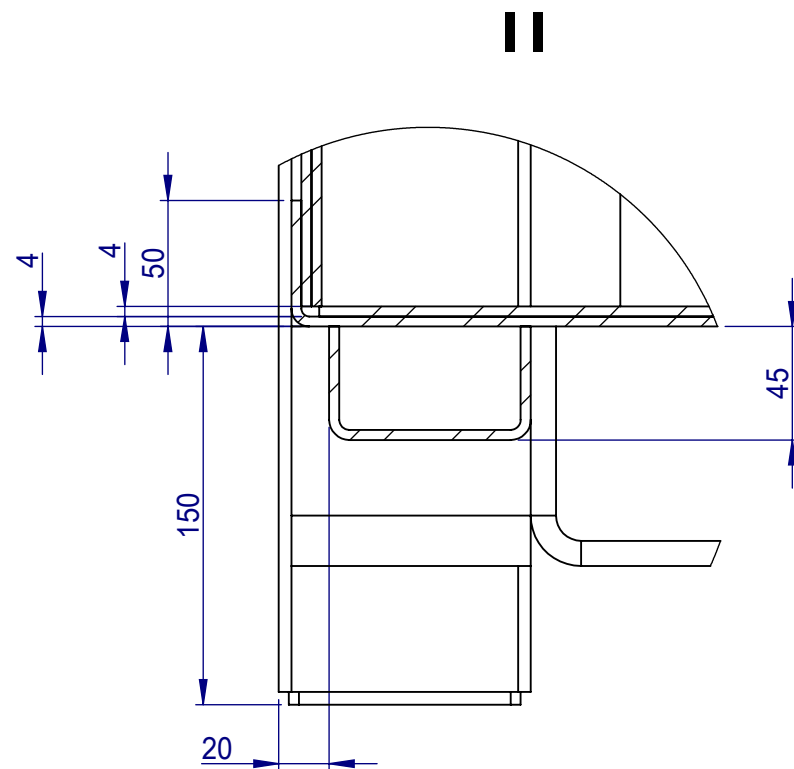
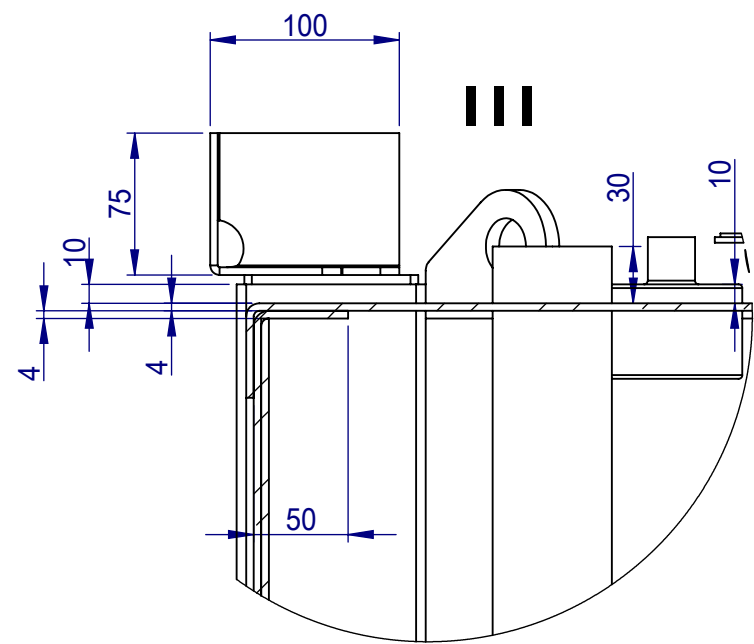
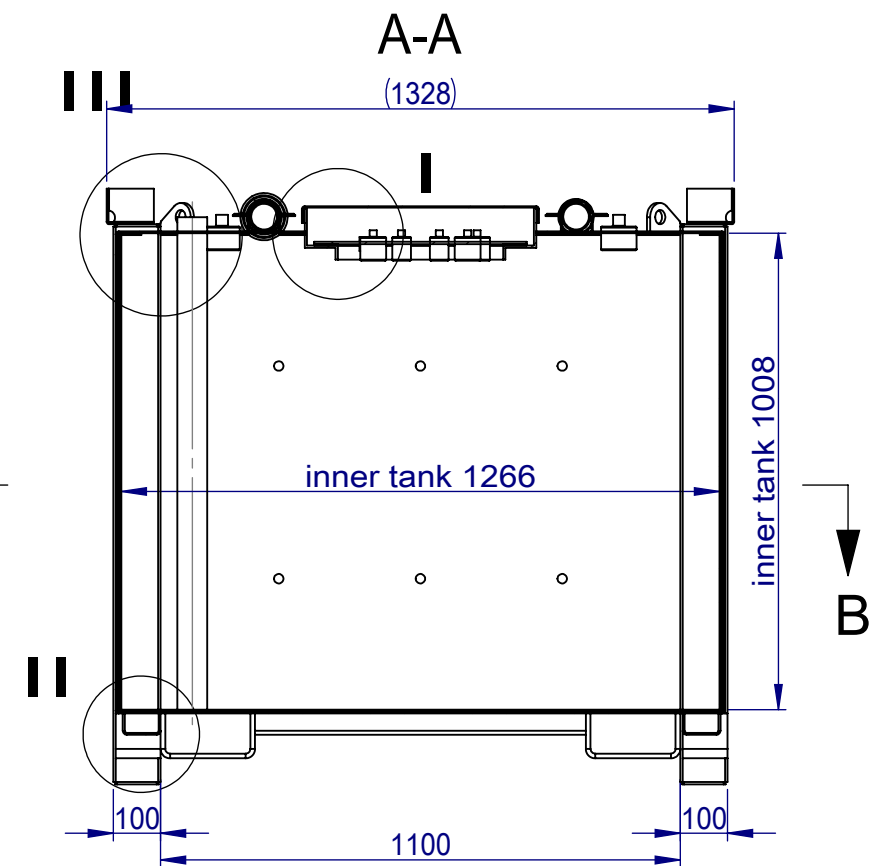
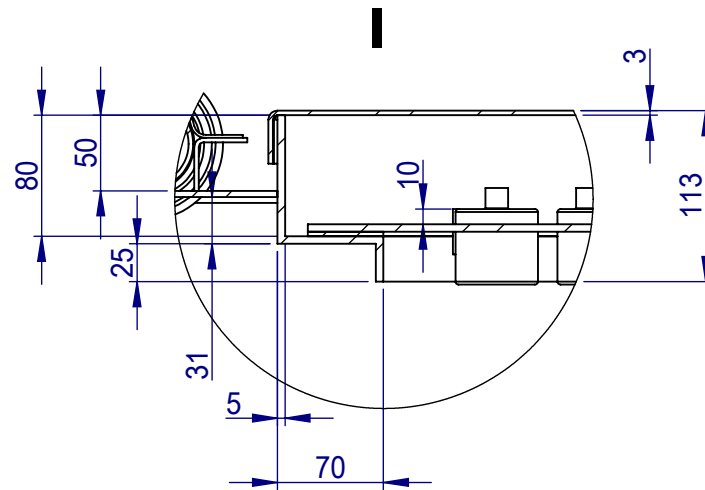
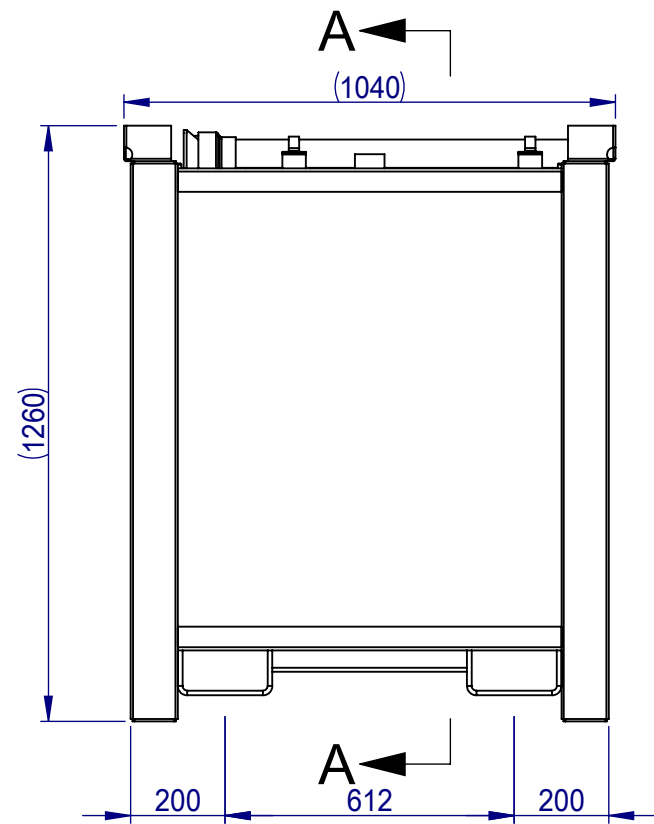
PURCHASE
ORDER NO. :

REV:
01
SHEET:
2 of 4

Scale:
No scale

A3





| | | | | | |
|------|-------|-----------|--------|----------|-----------|
| 07 | | | | | |
| 06 | | | | | |
| 05 | | | | | |
| 04 | | | | | |
| 03 | | | | | |
| 02 | | | | | |
| 01 | | | | | |
| REV: | DATE: | REVISION: | DRAWN: | CHECKED: | APPROVED: |



Material:
Weight: 516.65KG

DRAWN:
CHECKED:
CLIENT:
APPROVED:

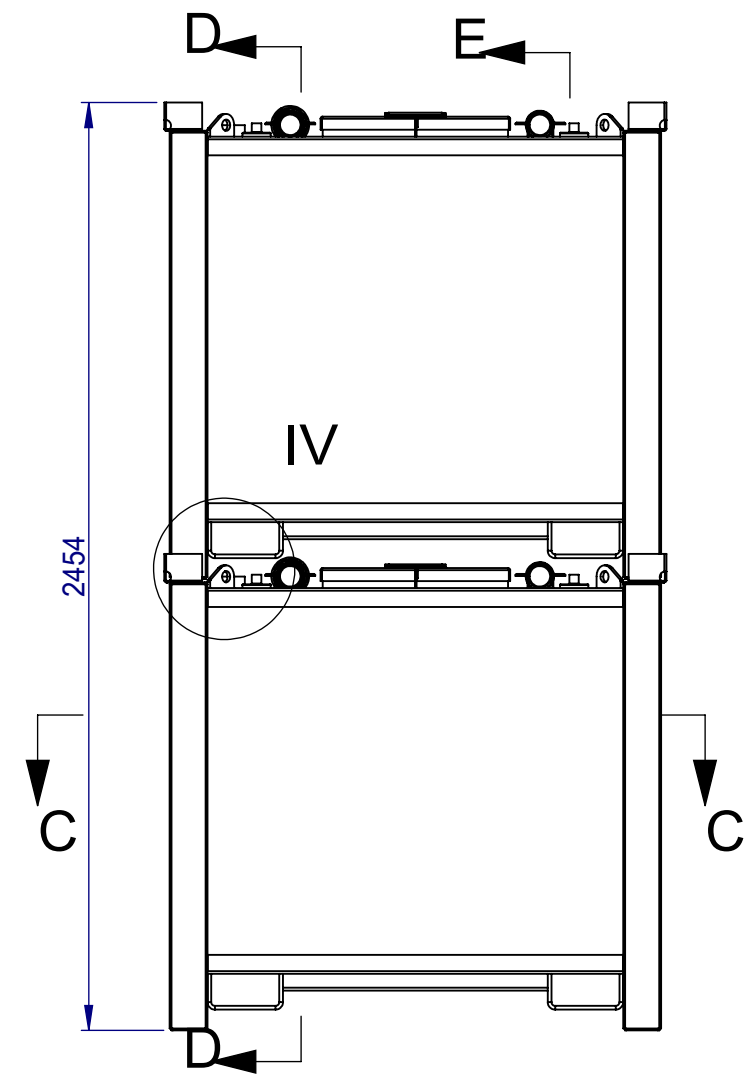
DATE:
2015/12/21
DATE:
DATE:
DATE:

TITLE:
P1100
DRAWING NO. :
PURCHASE ORDER NO. :

REV:
01
SHEET:
3 of 4
Scale:
No scale

A3

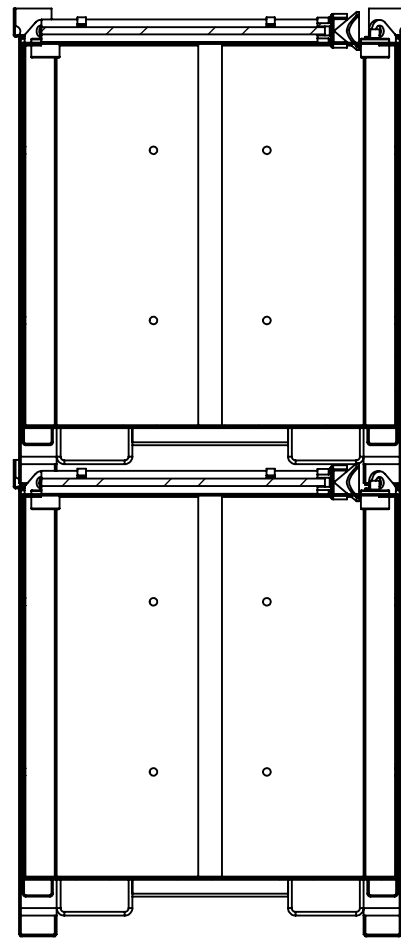




IV

IV

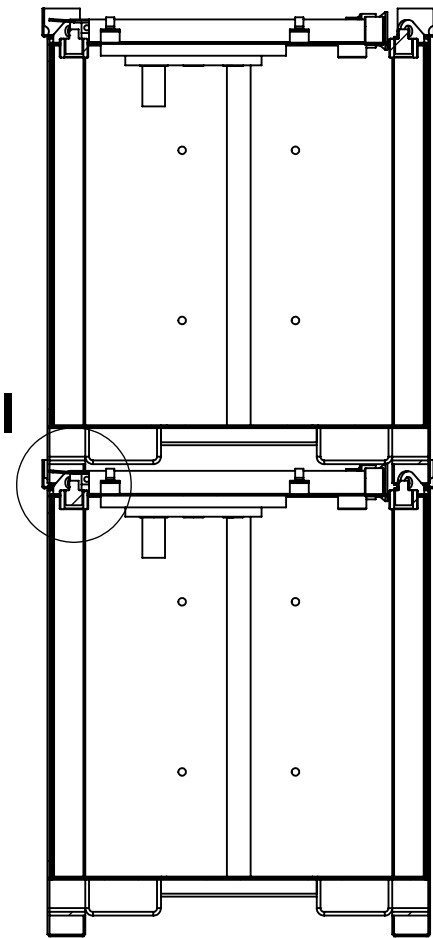
D-D



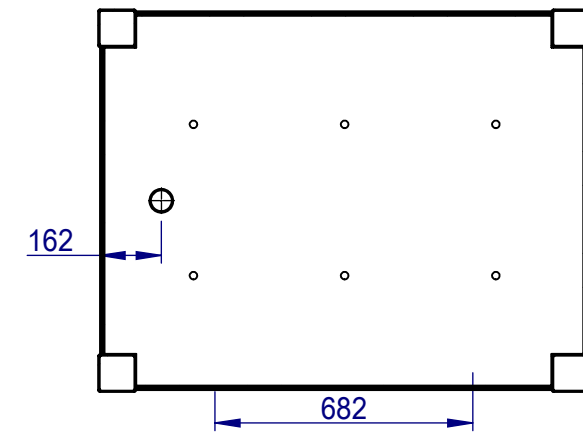
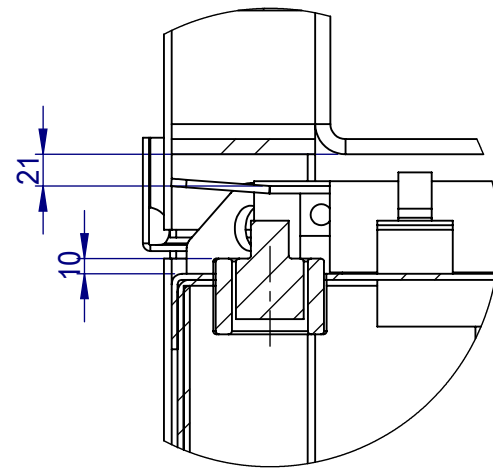
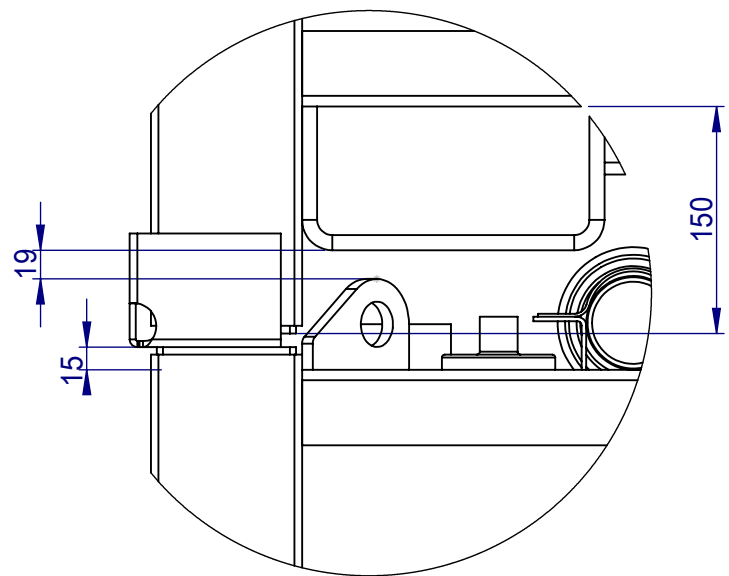
VIII

E-E

VIII



C-C



| | | | | | |
|------|-------|-----------|--------|----------|-----------|
| 07 | | | | | |
| 06 | | | | | |
| 05 | | | | | |
| 04 | | | | | |
| 03 | | | | | |
| 02 | | | | | |
| 01 | | | | | |
| REV: | DATE: | REVISION: | DRAWN: | CHECKED: | APPROVED: |



Material:
Weight: 1033.31KG

DRAWN:

CHECKED:

CLIENT:

APPROVED:

DATE:

DATE:

DATE:

DATE:

TITLE:

P1100

DRAWING NO. :

PURCHASE
ORDER NO. :

REV:
01
SHEET:
4 of 4

Scale:
No scale

A3

